

Digital Locking Cylinder 3061 VdS

State of: June 2006

Digital Locking Cylinder 3061 VdS

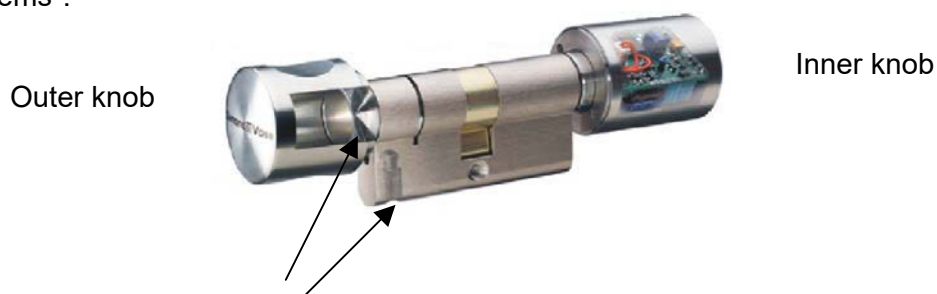
Page 2

1.0	Method of Operation	3
1.1	General Information	3
1.2	Opening and Locking From Outside	3
1.3	Opening and Locking From Inside	3
2.0	Special Models	4
2.1	FH Version	4
2.2	Overview	4
3.0	Additional Functions	4
3.1	OMRON	4
3.2	Extending the Coupling Time	4
3.3	Logging Unauthorized Access Attempts	5
3.4	No Acoustic Programmer Acknowledge	5
4.0	Battery Warnings	5
4.1	Locking Cylinder	5
4.2	Transponder	6
5.0	Battery Replacement	6
6.0	Installation Instructions	7
6.1	General Information	7
6.2	Programming the Locking Cylinder	7
6.3	Removing the Outer Knob	7
6.4	Inserting the Digital Cylinder Into the Lock	8
6.5	Screw On the Outer Knob	8
6.6	Perform Function Test	8
7.0	Potential Applications	8
7.1	General Information	8
7.2	Fire Protection Doors	8
7.3	SLP Locks	8
8.0	Data Sheet	9

1.0 Method of Operation

1.1 General Information

The Digital Locking Cylinder 3061 VdS meets the requirements of VdS (Association of German Property Insurers) Class B and its outer dimensions exactly match those of a standard mechanical cylinder. In comparison to mechanical systems, it excels because it is very easy to install, provides greater security, is more flexible and costs less to operate. It can quickly and easily replace existing mechanical cylinders in "old systems".



1.2 Opening and Locking From Outside

When not activated, the outer knob turns freely. It is not possible to open the door or to lock it. Hold the transponder at a distance of approximately 10 to 40 cm (4 to 16 inches) from the digital locking cylinder and briefly press the transponder button once. If this is an authorised transponder, a double signal tone sounds and the cylinder couples. Now turn the outer knob in the locking or opening direction. You have approximately five seconds for this process. You can use the software to adjust the coupling time. The longer the coupling time, however, the shorter the service life of the battery. Then a single signal tone sounds and the outer knob turns freely again. Make sure that the outer knob of the locking cylinder turns freely again after the coupling process.

- ☞ If this transponder is not authorised at this time because of the time zone plan, a single signal tone sounds. The cylinder does not couple, however, and you cannot open the door.

1.3 Opening and Locking From Inside

It is always possible to open doors with Digital Locking Cylinder 3061 VdS devices from the inside without operating the transponder

2.0 Special Models

The standard Digital Locking Cylinder 3061 VdS is equipped as a PLUS version, which means that the following functions are always included:

- | | |
|-------------------|---|
| Access logging | The locking cylinder stores the last 128 accesses with date, time and the user name of the transponder. You can read out the data with the PalmCD2 or over the network. |
| Time zone control | You can program locking cylinders in such a way that authorised transponders are authorised for access only at certain times. |

The Digital Locking Cylinder 3061 VdS is also available in the following optional versions:

2.1 FH Version

For doors with thick metal inserts (such as fire protection doors) or with a large screening effect. This version is also used in areas with strong interference fields, such as in server rooms.

2.2 Overview

Locking Cylinder (PLUS)

- Entrance doors
- Residential doors
- Office doors
- Interconnecting doors

Locking Cylinder FH (PLUS)

- Fire protection doors
- Aluminium doors

3.0 Additional Functions

You can activate the following functions with the software settings:

3.1 OMRON

All product versions can be operated in OMRON mode. You will find a detailed description in the Smart Relay manual.

3.2 Extending the Coupling Time

The default time for the coupling of the cylinder is approximately 5 seconds. You can use the software to extend this time to approximately 10 seconds. This shortens the lifetime of the battery, however.

3.3 Logging Unauthorised Access Attempts

For cylinder version 10.2 and later and in combination with the LDG Version 1.40, it is possible to log unauthorised access attempts, as well as authorised accesses. This includes both access attempts without authorisation and access attempts outside the specified time zone. In this connection, however, only transponders from the locking system are logged, which means that the transponder must have the same locking system ID (SID).

3.4 No Acoustic Programmer Acknowledge

When programming over the network, it can be advantageous to deactivate the acoustic programmer acknowledge. You can do that with this function.

4.0 Battery Warnings

4.1 Locking Cylinder

Warning level 1 for main battery

If the main battery of the locking cylinder goes empty, eight short signal tones, coming quickly one after another, sound after you operate the transponder and before the cylinder couples. You must replace both batteries now.

Warning level 2 for backup battery (SW Version 10.0 & SW Version 10.1)

In addition to the main battery warning, an additional eight short signal tones, coming quickly one after another, now sound for the backup battery warning. The cylinder does not couple until after the signals. From now on, the backup battery is active. You must replace both batteries as soon as possible.

Warning level 2 for backup battery (SW Version 10.2 and later)

Now the signal tones of the backup battery warning sound for only approximately 30 seconds (without the main battery warning). The cylinder does not couple until after the signals. From now on, the backup battery is active. You must replace both batteries as soon as possible.

Warning level 3 (SW Version 10.2 and later)

If you continue to ignore this backup battery warning, either the door can be used 50 more times or the cylinder switches off after 4-5 weeks if there is no further operation. In both cases, the cylinder switches into the so-called storage mode. After this, you can only open the cylinder with the programming device.

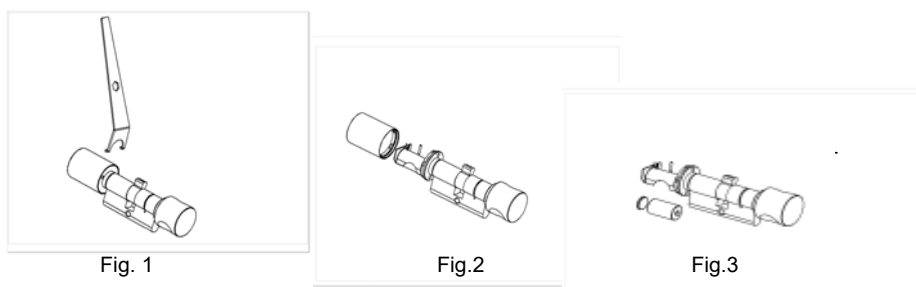
4.2 Transponder

If the transponder battery voltage is coming to an end, eight short signal tones, coming quickly one after another, sound each time the transponder is operated on the locking cylinder after the uncoupling.

- Attention: Do not take out the transponder battery because this will probably result in the loss of data. See the "Transponder 3064" manual for more information.

5.0 Battery Replacement

Only authorised personnel are permitted to replace the battery. Use only batteries that are supplied by SimonsVoss.



Use the special tool to loosen the locknut (Fig. 1) on the inner knob (long knob) approximately one rotation (only loosen slightly, do not unscrew completely). Carefully push the inner knob back and forth so that the sealing cone loosens and then unscrew the inner knob completely (Fig. 2).

Note: Only push the inner knob to the side very lightly because otherwise you may damage the electronics.

- When changing batteries, always change both batteries.

Insert the main battery into the holding device with the positive pole toward the door and the backup battery in the opposite direction (Fig. 3).

- Reversing the polarity can result in damage to the locking cylinder. Incorrect handling of the batteries used in this device can result in the risk of fire or burns. Do not charge, open, heat to more than 100 C (212 C) or burn. Replace the batteries only with original batteries supplied by SimonsVoss.
- Please dispose of lithium batteries immediately when discharged. Store away from children, do not open and do not throw into fire.
- Never operate the cylinder without a main battery because otherwise the entire power consumption of the cylinder runs over the backup battery.

Fix the lock nut in position with the special tool and press it against the flange. Now turn the inner knob onto the screw thread until the stop and tighten the locknut firmly. Now operate an authorised transponder and test the function.

- 👉 Please dispose of discharged lithium batteries immediately. Store away from children, do not open and do not throw into fire.
- 👉 You must reset the time of day after the battery change because the clock does not work without current (Software Operating Instructions: Programming → Setting the Clock on the Locking).

6.0 Installation Instructions

6.1 General Information

When installing the Digital Locking Cylinder, make sure that there are no sources of interference in the vicinity. You should install locking cylinders at least 0.5 m (approximately 1.5 feet) from one another and control units or SmartRelays at a distance of at least 1.5 m (approximately 5 feet). The PC housing of the half cylinder is not allowed to stick out into the exterior area more than 3 mm. If necessary, attach a profile cylinder rosette. Furthermore, you must ensure that no water can penetrate the cylinder in the area of the catch

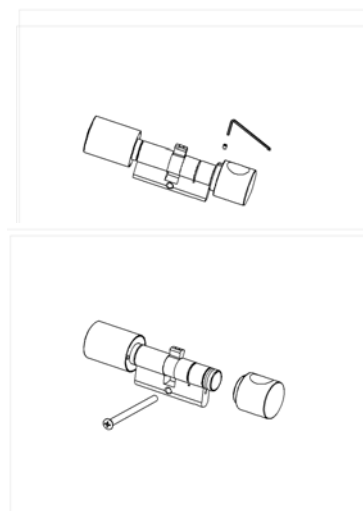
6.2 Programming the Locking Cylinder

You must program the Digital Locking Cylinder and accompanying transponders in the locking plan before you install them. Please refer to the Software Operating Instructions for more detailed information.

- 👉 The locking cylinders are delivered in so-called storage mode, which means that no communication is possible with the transponder (exception: programming transponder). You can also use software and the programming device to remove the storage mode. Please refer to the Software Operating Instructions for more detailed information.

6.3 Removing the Outer Knob

Loosen the setscrew on the outer knob (short knob) with a 1.5 mm Allen key (do not screw the whole way off). Operate an authorised transponder and hold the inner knob still. The locking cylinder couples and you can unscrew the outer knob by turning it counterclockwise.



6.4 Inserting the Digital Cylinder Into the Lock

First turn the lock pin until it is pointing straight down. Then insert the Digital Locking Cylinder through the lock so that the inner knob (long knob) points toward the inside of the door. Fasten the cylinder with the lock screw included in the delivery

Never hit against the knobs during installation. Do not bring the cylinder into contact with oil, paint or acid.

6.5 Screw On the Outer Knob

Screw the outer knob on the screw thread, fixing it in position with your fingers if necessary. Then operate the transponder. Hold the inner knob still and tighten the outer knob solidly. Finally, tightly screw the setscrew with the Allan key.

6.6 Perform Function Test

1. With the door open, turn the inner knob in the locking and opening directions. The knob must turn easily.
2. Close the door and repeat the process. If the locking cylinder is stiff, you must align the door or correct the edge plate.
3. Then perform the same test on the outer knob. To do this, operate an authorised transponder near the cylinder.

7.0 Potential Applications

7.1 General Information

The Digital Locking Cylinder fits locks for Euro Profile Cylinders that meet DIN 18254 specifications.

7.2 Fire Protection Doors

It is possible to install the locking cylinder in fire protection doors. In this case, use the Locking Cylinder Version FH. The approval for a fire protection door is always unaffected by the locking cylinder.

7.3 SLP Locks

The Digital Locking Cylinder 3061 FD is used for applications of this type. The Digital Locking Cylinder 3061 VdS does not have approval for SLP doors at this time. See the "Digital Locking Cylinder 3061" manual → "Possible Applications.

Digital Locking Cylinder 3061 VdS

8.0 Data Sheet

Knobs	Material	Stainless steel
	Colours	Brushed stainless steel Brass
	Diameter	30 mm

FH cylinder knobs	Material	Outer knob stainless steel, inner knob plastic
	Colour	Black
	Diameter	30 mm

Profile cylinders	Standard length	Outside 30 mm, inside 30 mm
	Construction length	In 5 mm increments (no kit) up to a total length of 140 mm, where one side of the cylinder can have a max. length of 90 mm. Other lengths upon request.

Battery	Type	Lithium 3.6 V, 1/2 AA Lithium 3 V, CR1220 Use only original replacement batteries from SimonsVoss
	Service life	Approx. 60,000 operations or approx. 4 years

Environmental Conditions	Operating temperature	-20°C to +50°C (-4° F to +122° F)
	Storage temperature	-35°C to +50°C (-31°F to +122°F)
	Degree of protection	IP54 (when installed)
