



simons  VOSS

MobileKey Transponder

Manual

03.11.2023

Simons  Voss
technologies

Contents

1.	General safety instructions	3
2.	Intended use.....	6
3.	General.....	7
3.1	How it works	7
4.	Battery replacement.....	8
5.	Battery warning for transponders	10
6.	Technical data.....	11
6.1	Dimensions.....	12
7.	Declaration of conformity.....	13
8.	Help and other information	14

1. General safety instructions

Signal word: Possible immediate effects of non-compliance

WARNING: Death or serious injury (possible, but unlikely)

CAUTION: Minor injury

IMPORTANT: Property damage or malfunction

NOTE: Low or none



WARNING

Blocked access

Access through a door may stay blocked due to incorrectly fitted and/or incorrectly programmed components. SimonsVoss Technologies GmbH is not liable for the consequences of blocked access such as access to injured or endangered persons, material damage or other damage!

Blocked access through manipulation of the product

If you change the product on your own, malfunctions can occur and access through a door can be blocked.

- ❑ Modify the product only when needed and only in the manner described in the documentation.

Do not swallow battery. Danger of burns from hazardous substances

This product contains lithium button cell batteries. Swallowing the button cell battery, in can result in severe internal burns leading to death in as little as two hours.

1. Keep new and used batteries away from children.
2. If the battery compartment does not close securely, cease using the product and keep it away from children.
3. If you think batteries have been swallowed or are in any part of the body, seek medical attention immediately.

Risk of explosion due to incorrect battery type

Inserting the wrong type of battery can cause an explosion.

- ❑ Only use the batteries specified in the technical data.



CAUTION

Fire hazard posed by batteries

The batteries used may pose a fire or burn hazard if handled incorrectly.

1. Do not try to charge, open, heat or burn the batteries.
2. Do not short-circuit the batteries.

IMPORTANT

Damage resulting from electrostatic discharge (ESD)

This product contains electronic components that may be damaged by electrostatic discharges.

1. Use ESD-compliant working materials (e.g. Grounding strap).
2. Ground yourself before carrying out any work that could bring you into contact with the electronics. For this purpose, touch earthed metallic surfaces (e.g. door frames, water pipes or heating valves).

Damage resulting from liquids

This product contains electronic and/or mechanic components that may be damaged by liquids of any kind.

- ❑ Keep liquids away from the electronics.

Damage resulting from aggressive cleaning agents

The surface of this product may be damaged as a result of the use of unsuitable cleaning agents.

- ❑ Only use cleaning agents that are suitable for plastic or metal surfaces.

Damage as a result of mechanical impact

This product contains electronic components that may be damaged by mechanical impacts of any kind.

1. Avoid touching the electronics.
2. Avoid other mechanical influences on the electronics.

Damage due to polarity reversal

This product contains electronic components that may be damaged by reverse polarity of the power source.

- ❑ Do not reverse the polarity of the voltage source (batteries or mains adapters).

Operational malfunction due to radio interference

This product may be affected by electromagnetic or magnetic interference.

- ❑ Do not mount or place the product directly next to devices that could cause electromagnetic or magnetic interference (switching power supplies!).

Communication interference due to metallic surfaces

This product communicates wirelessly. Metallic surfaces can greatly reduce the range of the product.

- ❑ Do not mount or place the product on or near metallic surfaces.
-



NOTE

Intended use

MobileKey-products are designed exclusively for opening and closing doors and similar objects.

- ❑ Do not use MobileKey products for any other purposes.

Malfunctions due to poor contact or different discharge

Contact surfaces that are too small/contaminated or different discharged batteries can lead to malfunctions.

1. Only use batteries that are approved by SimonsVoss.
2. Do not touch the contacts of the new batteries with your hands.
3. Use clean and grease-free gloves.
4. Always replace all batteries at the same time.

Different times for G2 locks

The internal time unit of the G2 locks has a technical tolerance of up to ± 15 minutes per year.

Qualifications required

The installation and commissioning requires specialized knowledge.

- ❑ Only trained personnel may install and commission the product.

Incorrect installation

SimonsVoss Technologies GmbH accepts no liability for damage caused to doors or components due to incorrect fitting or installation.

Modifications or further technical developments cannot be excluded and may be implemented without notice.

The German language version is the original instruction manual. Other languages (drafting in the contract language) are translations of the original instructions.

Read and follow all installation, installation, and commissioning instructions. Pass these instructions and any maintenance instructions to the user.

2. Intended use

A transponder is a digital "key" which is programmed with the MobileKey software and uses contactless, wireless communication. All functions are activated by pressing a button. These include authorisation identification and the opening and locking of doors, gates, barriers, furniture locks and similar items. The transponder communicates with digital components – cylinders, SmartRelays and activation units – by sending and receiving constantly changing crypto codes, which ensure that the system cannot be misused.

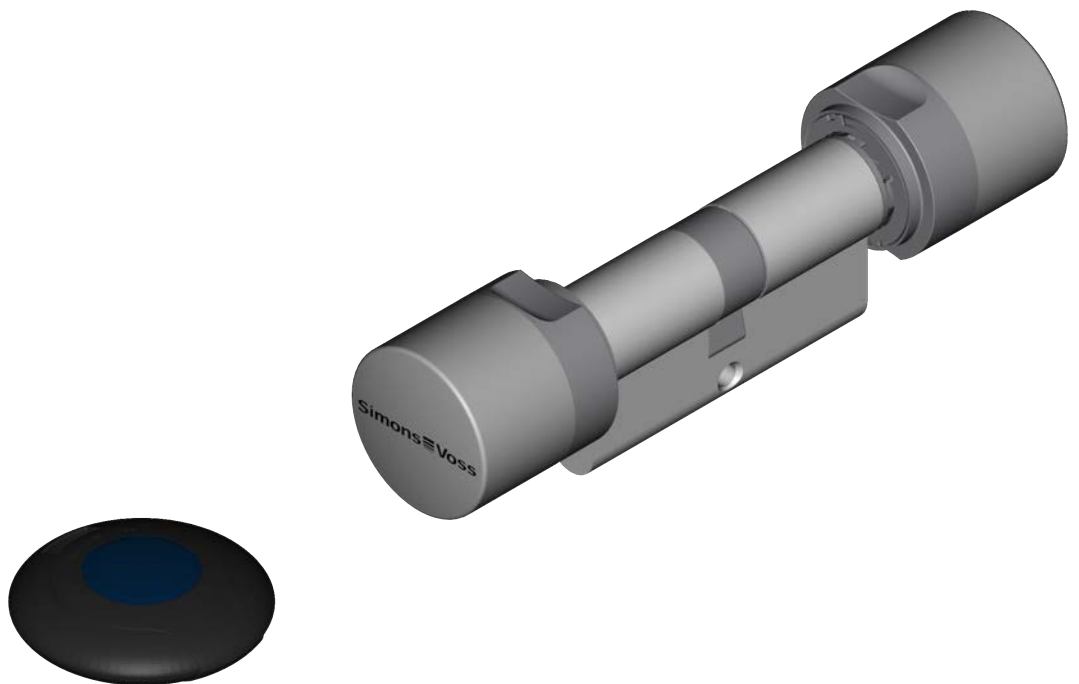
3. General



3.1 How it works

To carry out an action, the user holds the transponder close to the digital lock and presses the transponder button.

The transponder and locking device then exchange keys and authorisation data. The user can only perform the required action, such as opening or locking the door, if the transponder is authorised for the digital lock.



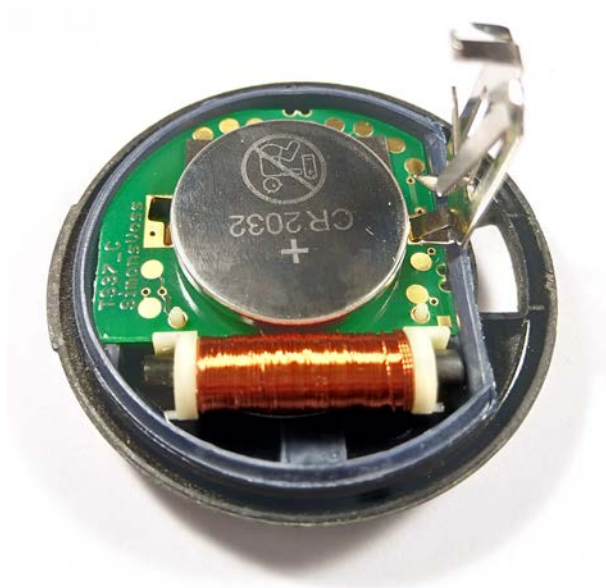
4. Battery replacement

The transponder battery can be replaced at any time.

1. Carefully open the casing at the notches, so that you can see the battery.



2. Open the battery holder.
3. Remove the battery.
4. Insert a new battery (negative pole to the circuit board).



5. Close the battery holder.
6. Press the casing together again.
 - ↳ Casing lid clicks back into place.
 - ↳ Battery is replaced.



CAUTION

Lack of power supply on battery replacement

The transponder may lose data due to the interruption in power supply. Do not interrupt the power supply for longer than two minutes. Do not press the button when there is no power and avoid short circuits.

5. Battery warning for transponders

When the transponder battery is low, short audible signals are heard in rapid succession on the locking cylinder (not the transponder) after the locking cylinder disengages each time the transponder is used.

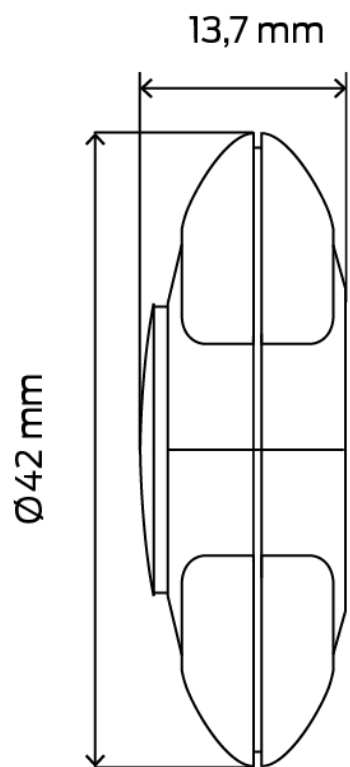
6. Technical data

Housing	Material	Weatherproof plastic (polyamide)
	Colours	Casing: black
		Buttons: different colours
	Diameter	42.0 mm
	Height	13.7 mm
Ambient conditions	Temperature range	-20 °C to 60 °C
	Standard protection rating	IP65
	Environmental Class	III
Batteries	Type	CR2032
	Manufacturer	Varta, Panasonic, Murata
	Quantity	1x
	Voltage	3 V
	Battery life	Up to 400,000 activations or up to 10 years on standby
Range	MobileKey-Locking Cylinder	15 cm to 40 cm
	MobileKey-Padlock	15 cm to 40 cm
	SmartRelais	5 cm to 120 cm

Radio emissions

24.50 kHz - 25.06 kHz	-20 dB μ A/m (10 m distance)
-----------------------	----------------------------------

6.1 Dimensions



7. Declaration of conformity

The company SimonsVoss Technologies GmbH hereby declares that the articles (MK.TRA2.G2*) comply with the following guidelines:

- 2014/53/EU -RED-
or for the UK: UK statutory 2017 No. 1206 -Radio equipment-
- 2011/65/EU -RoHS-
or for the UK: UK statutory 2012 No. 3032 -RoHS-



The full text of the EU Declaration of conformity is available at the following internet address: www.simons-voss.com/en/certificates.html.

The full text of the UK Declaration of conformity is available at the following internet address: www.simons-voss.com/en/certificates.html.

8. Help and other information

Information material/documents

You will find detailed information on operation and configuration and other documents on the website:

<https://www.simons-voss.com/en/documents.html>

Declarations of conformity

You will find declarations of conformity and other certificates on the website:

<https://www.simons-voss.com/en/certificates.html>

Information on disposal

- Do not dispose the device (MK.TRA2.G2*) in the household waste. Dispose of it at a collection point for electronic waste as per European Directive 2012/19/EU.
- Recycle defective or used batteries in line with European Directive 2006/66/EC.
- Observe local regulations on separate disposal of batteries.
- Take the packaging to an environmentally responsible recycling point.



Technical support

Our technical support will be happy to help you (landline, costs depend on provider):

+49 (0) 89 / 99 228 333

Email

You may prefer to send us an email.

support-simonsvoss@allegion.com

FAQs

You will find information and help in the FAQ section:

<https://faq.simons-voss.com/otrs/public.pl>

Address

SimonsVoss Technologies GmbH
Feringastr. 4
D-85774 Unterfoehring
Germany



This is SimonsVoss

SimonsVoss, the pioneer in remote-controlled, cable-free locking technology provides system solutions with a wide range of products for SOHOs, SMEs, major companies and public institutions. SimonsVoss locking systems combine intelligent functionality, high quality and award-winning design Made in Germany.

As an innovative system provider, SimonsVoss focuses on scalable systems, high security, reliable components, powerful software and simple operation. As such, SimonsVoss is regarded as a technology leader in digital locking systems.

Our commercial success lies in the courage to innovate, sustainable thinking and action, and heartfelt appreciation of employees and partners.

SimonsVoss is a company in the ALLEGION Group, a globally active network in the security sector. Allegion is represented in around 130 countries worldwide (www.allegion.com).

Made in Germany

SimonsVoss is truly committed to Germany as a manufacturing location: all products are developed and produced exclusively in Germany.

© 2023, SimonsVoss Technologies GmbH, Unterföhring

All rights are reserved. Text, images and diagrams are protected under copyright law.

The content of this document must not be copied, distributed or modified. More information about this product can be found on the SimonsVoss website. Subject to technical changes.

SimonsVoss and MobileKey are registered brands belonging to SimonsVoss Technologies GmbH.

SimonsVoss
technologies

Made in Germany

A BRAND OF


ALLEGION