



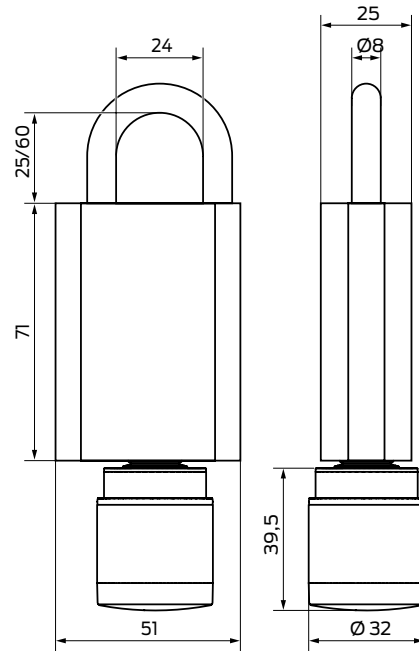
// **FEATURES**

- ❖ Optimum data security: The SecureElement stores the encrypted system data and forms part of the new AX security architecture. This special chip is an integral part of authentication and cannot be read from the outside.
- ❖ Drilling protection protects the actuator electronics and the cylinder profile.
- ❖ Hardened lock body and shackle, protection class 4 as per EN 12320 (11 mm version).
- ❖ Available for Wireless Online (WO) and Virtual Card Network (SVCN) systems.
- ❖ Very long battery life: up to 12 years on stand-by.
- ❖ Future-proof investment forms part of the SimonsVoss promise. The Cylinder AX can be integrated into an existing system (backwards compatible with existing components).
- ❖ Room for beauty: the Cylinder AX not only impresses with its appearance, but also thanks to its pleasant touch with ergonomic thumb-turns.
- ❖ Greater ease of use thanks to visual and audible feedback signals.
- ❖ German-made. A given for us.

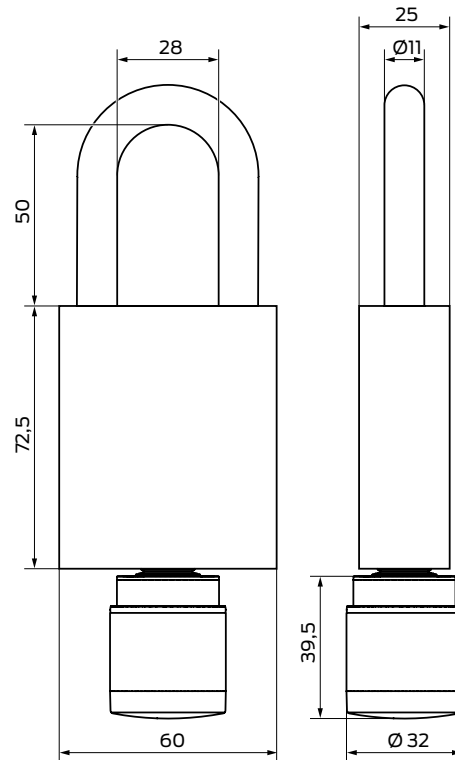
// **TECHNICAL DATA**

Dimensions of base body without thumb-turn/shackle	70 × 51 × 25 mm (8 mm shackle) or 72.5 × 60 × 25 mm (11 mm shackle)	Battery type	CR 2450, 3 V lithium Quantity: 2 x (standard)
Shackle diameter	8 mm/11 mm	Temperature range	Operation: -25 °C to +65 °C
Inside height of shackle	25/60 mm (8 mm shackle) or 50 mm (11 mm shackle)	Protection rating	IP67 (WP)
Thumb-turns	Reader thumb-turn: Plastic cover black Rotary thumb-turn: stainless steel Diameter: 32 mm	Feedback signals	Audible (buzzer) and/or visual (LED – green / red)
Reader systems	<ul style="list-style-type: none"> ❖ Reader system Wireless Online: MIFARE® Classic, MIFARE® DESFire / EV1/EV2/EV3, UID (card serial number) as per ISO 14443 (z.B. MIFARE®, Legic® Advant, HID® SEOS) ❖ Virtual Card Network (SVCN): MIFARE® Classic, MIFARE® DESFire® / EV1/EV2/EV3 ❖ Bluetooth Low Energy (BLE) in pipeline 	Accesses loggable offline	WO: up to 250, if locking offline SVCN: up to 1,000
Operation types	Online: WirelessOnline (WO) Offline: Virtual card network (SVCN)	Time zone groups	Depends on system integrator
		Number of media per cylinder	Depends on system integrator
		Wireless network 868 MHz	Directly network-ready with integrated LockNode (WO)
		Can be upgraded	Firmware upgradable via BLE
		Certificates	Class 3 (shackle diameter 8 mm) or Class 4 (shackle diameter 11 mm) as per EN 12320 (lock body)

// DIMENSIONS (SHACKLE DIAMETER 8 MM)



// DIMENSIONS (SHACKLE DIAMETER 11 MM)



See price list for further variants, options and accessories Digital padlocks AX SmartIntego.

Measurements indicated in mm