



M300 SV SimonsVoss / G2

Operating instructions

Contents

Page

General description, functional description and safety instructions	2
Care and maintenance and technical specifications	3
System components / Package contents	4
Getting started / Installation and battery replacement	5
Functional check with transponder	6
Information about installing and dismantling	7
Light signals and other signals	8

GENERAL SYSTEM DESCRIPTION

The electronic locking system M300 is an electronic furniture lock. Using the system in applications for which it is not intended may result in irreparable damage to it and render any claims null and void. It is intended for usage in the home and office. This user manual tells you how to properly install and operate the M300 system. For programming the furniture lock you will need the management software as well as the required hardware of the SimonsVoss Technologies GmbH in Munich. With its easy handling, you can adapt the M300 system to your personal requirements. It can be expanded from a stand-alone system to a complex, convenient locking system and integrated into already existing locking systems of SimonsVoss Technologies GmbH.

Wording and graphics have been prepared for you with care. However, no liability will be assumed for any mistakes that may have occurred.

Copyright 2014 by LEHMANN Vertriebsgesellschaft mbH & Co. KG, D-32429 Minden.

All rights reserved. These instructions must not be reproduced in any way (print, photocopy, microfilm or other process) or processed, duplicated or distributed using electronic systems either in whole or in part without written consent from LEHMANN Vertriebsgesellschaft mbH & Co. KG. The scope of items included by the manufacturer in the system as well as technical specifications are subject to change without notice.

FUNCTIONAL DESCRIPTION

The M300 electronic locking system provides you with a convenient means of locking and unlocking your furniture electronically. The M300 system enables granting of selective access authorisations, so that certain furniture can only be accessed by authorised persons. Complete locking systems with different access levels can thus be realised with no problems.

Each control electronics of the M300 system works independently, without cable connection to other control electronics and without mains voltage. You can easily program different transponders in each control electronics. During normal operation, the control electronics only responds to the programmed transponders.

Please note that the distance between the furniture locks must always be at least 50 cm. A distance of at least 120 cm between the furniture locks is required, when several furniture locks are authorised with one transponder.

For operation you will additionally need a transponder of SimonsVoss Technologies GmbH, which you already own or which you can purchase from your supplier or dealer.

SAFETY PRECAUTIONS

- The bolts can bear a maximum force of 5-10 N.
If this load is exceeded, the system may be permanently damaged.
- When replacing the batteries, observe correct battery polarity and position!
- Dispose of used batteries properly!
- Do not heat batteries, take them apart or short-circuit them!
- Never throw batteries into open fire!
- The batteries must not be charged!
- Keep the batteries away from children!
- Any persons swallowing batteries must seek immediate medical advice!
- Damaged and/or leaking batteries may cause acid burns and/or poisoning!

CARE AND MAINTENANCE

- Do not spill any liquid over or into the individual components of the system and never immerse the components in any liquid.
- Depending on the structural conditions, electronic sources of interference and/or frequency overlays, the transmission/reception range as well as the reception quality can be limited.
- The receiver should not be exposed to direct sunlight.
- Clean the system with a clean, soft, damp cloth only.
- Do not use any cleaning agents that contain abrasives or solvents like glass, thinners, alcohol, gasoline or ammonia, as these can damage the housing.
- Treating any of the electronic and mechanical components improperly or in any way other than described in this user manual may lead to malfunctions.

NOTE

Our locks and locking systems can be used together with mechanisms made by other manufacturers, but their compatibility must be checked by the processor in each individual case. We cannot accept any liability for damage or losses due to incompatibility.

TECHNICAL SPECIFICATIONS

- The system does not require visual contact between the transponder and receiver.
- The distance between the furniture locks must always be at least 50 cm.
- Frequency: 25 KHz. National legislation about permissible radio frequencies must be observed.
- The average transmission range of the transponder is approx. 30 cm. Depending on the structural conditions, the transmission/reception range may be limited or significantly increased.
- Information about programming and commissioning of the system can be found in the system manual of company SimonsVoss Technologies GmbH. www.simons-voss.com
- Power supply for control electronics: Battery type: 3x AA, alkaline 1.5 V.
- NiCd, NiMH or other rechargeable batteries as well as zinc-carbon or lithium batteries must not be used!
- **Mechanical load limits:**
 - The main front lock has a maximum compressive force of 10 N.
 - The two lateral lock bolts have a maximum compressive force of 5N each with even load.

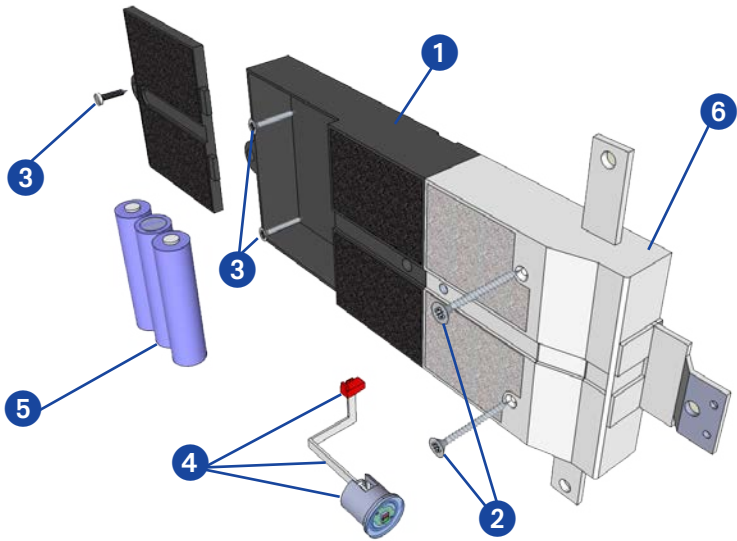
Temperature range:








Operation: + 5°C to +40°C at 30% to 80% relative humidity, non-condensing.

Operation: -25°C to +70°C at 30% to 80% relative humidity, non-condensing.

Apart from that, the technical information and specifications of SimonsVoss Technologies GmbH in Munich apply. www.simons-voss.com

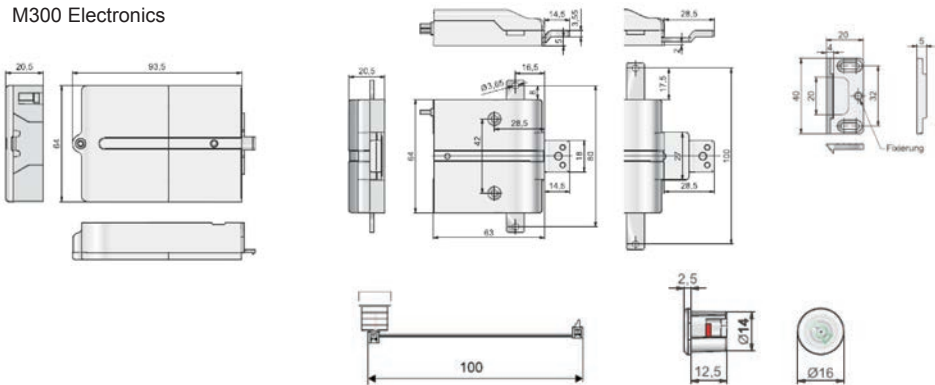
SYSTEM COMPONENTS / PACKAGE CONTENTS



<p>1 E-Box M300 SV</p> 	<p>2 x Spax 3x30</p> <p>2</p> 	<p>3 x Spax 3x13</p> <p>3</p> 	<p>3 x 1.5 V AA</p> <p>5</p> 	<p>M-Box M300 3-point</p> <p>6</p> 	<p>Operating instructions</p> 
<p>Display unit with cable</p> <p>4</p> 					

DIMENSIONS

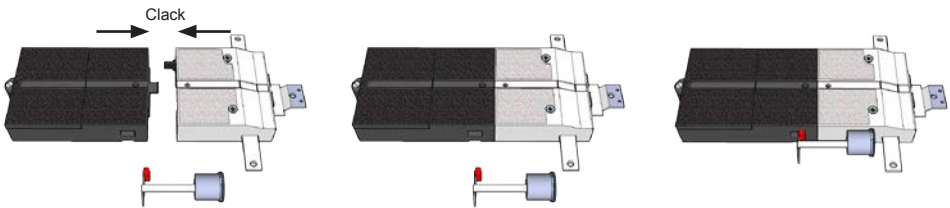
M300 Electronics



GETTING STARTED / INSTALLATION

The motor unit, electronics and display unit are not connected on delivery. Please perform steps 1 to 3 (see below) one after the other to get a functional unit. Once the functional check was successful, disconnect the display unit from the system again (figure 2), so that the system can be properly installed in the furniture.

- 1 Assemble the electronic housing and motor unit together until they interlock.
- 2 Insert the plug of the display unit into the socket of the electronics in the correct position.
- 3 Check components for secure seating.



Before installing the system, insert the batteries in the control electronics and program the furniture lock according to the SimonsVoss GmbH system manual. Once the programming operation is completed, ensure proper functioning of the system.

Only install the furniture lock in the furniture when it is unlocked.

Use only **LR6, AA, alkaline type batteries**. Make sure that the polarity is correct!

NiCd, NiMH or other rechargeable batteries as well as zinc-carbon or lithium batteries must not be used!

REPLACING BATTERIES

- 1 Loosen the screw. Open the battery compartment lid.
- 2 Insert / replace the batteries.
- 3 Close the battery compartment lid. **Fit the fixing screw.**



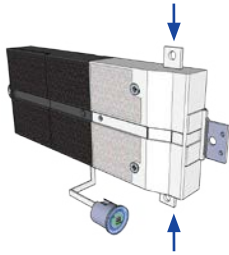
FUNCTIONAL CHECK WITH TRANSPONDER

Check the open/close function of the M300 before installation with the associated authorised transponder.



1 Transponder:
Press button

2 Bolt retracts.



Optical display

LED colour: **GREEN**

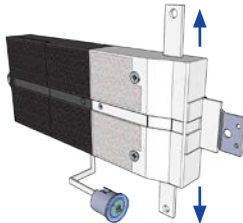
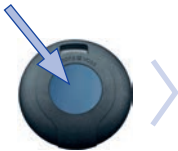


Pause
approx. 1 sec.



1 Transponder:
Press button

2 Bolt extends.



Optical display

LED colour: **RED**



Pause
approx. 1 sec.

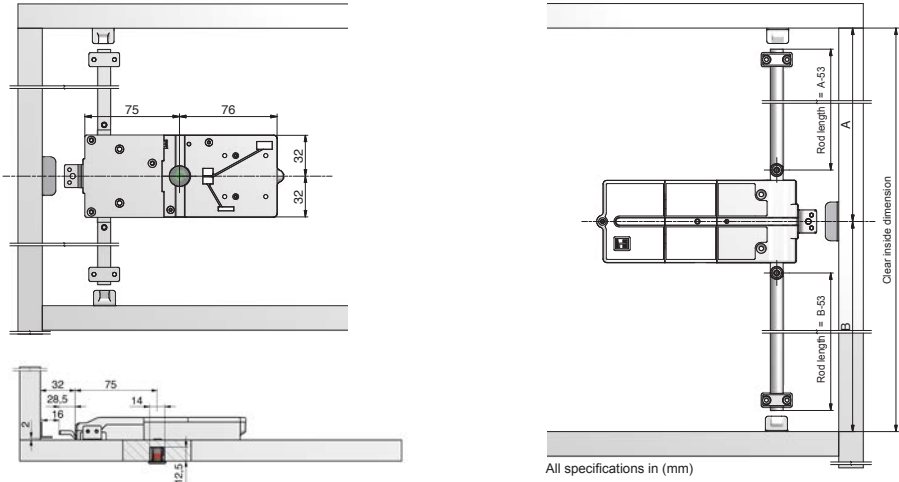
A detailed overview of all optical signals can be found on page 8

INFORMATION ABOUT INSTALLATION

This M300 is a motor lock with 3-point locking. This means that three bolts will extend from the housing at the same time. Push rods are usually attached to the two lateral lock bolts. This enables deflecting of the locking points. (See installation diagram).

The required push rods (locking rods) are not part of the packaging. However, you can get these via your specialist stockist.

To determine the push rod length, please use the length calculation in the diagram. In this case based on the example of a revolving door for furniture.



The display unit should be installed so that you have good visual contact. If you install the display unit separately from the control electronics, the length of the connection cable between these system components must not exceed 1 m.

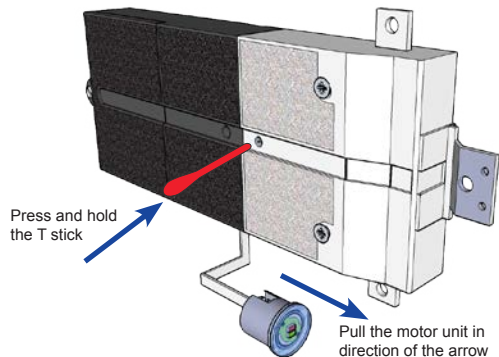
For the correct mechanical connection of the M300 system to your furniture, please refer to the installation instructions of your furniture manufacturer. If you have questions about the installation of the system, please contact a carpentry firm or your supplier before installation.

DISMANTLING THE M300

In some cases it might be required to dismantle the M300 again.

For this, please proceed as follows:

- 1 Remove the fixing screws on the motor unit.
- 2 Unlock the motor unit and electronics, as illustrated and described in the diagram below.
- 3 Open the battery compartment lid, remove the batteries and remove the fixing screws.



LIGHT SIGNALS AND OTHER SIGNALS

Light signals

- short flash
- long flash
- lights up

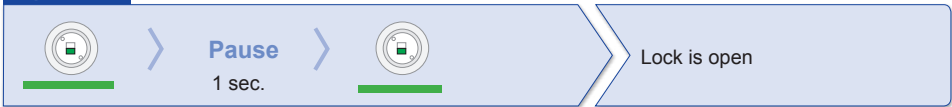


Light signals during normal operation

Close



Open



Warning displays when opening

Transponder battery warning



Warning displays when closing

Unauthorised transponder



Stop position of lock not reached



Battery warning level 1 based on the example "Close"



Battery warning level 2 based on the example "Open"



LEHMANN®

www.lehmann-locks.com

LEHMANN Vertriebsgesellschaft mbH & Co. KG

Postfach / P.O.B 2620
D - 32383 Minden

Phone +49 (0) 571/505 99 - 0
info@lehmann-locks.com