



// FEATURES

- ❑ Provide a flexible solution to any situation on site: SmartHandle AX can be adapted to the spindle, door thickness and centres distance. The handle can be mounted on the left or right. Suitable for metal frame doors and mounting on oval escutcheons. Can be combined with a panic bar.
- ❑ Exceptionally long battery life for up to 300,000 operations.
- ❑ Future-proof investment forms part of the SimonsVoss promise. You can even open SmartHandle AX with your first-generation transponder. More online or extra functions e.g. DoorMonitoring* can also be retrofit.
- ❑ Room for beauty: with its characteristic, adaptive design, the AX fitting can be combined with standard handles by renowned manufacturers.
- ❑ Maximum data security thanks to the integrated Secure Element.
- ❑ Operational reliability is decisive. That's why we have invested in mechanical and electronic quality and stability with the AX fitting. SmartHandle AX features extremely precise handle clearance. It has successfully completed the durability test of 1 million cycles.
- ❑ German manufactured.

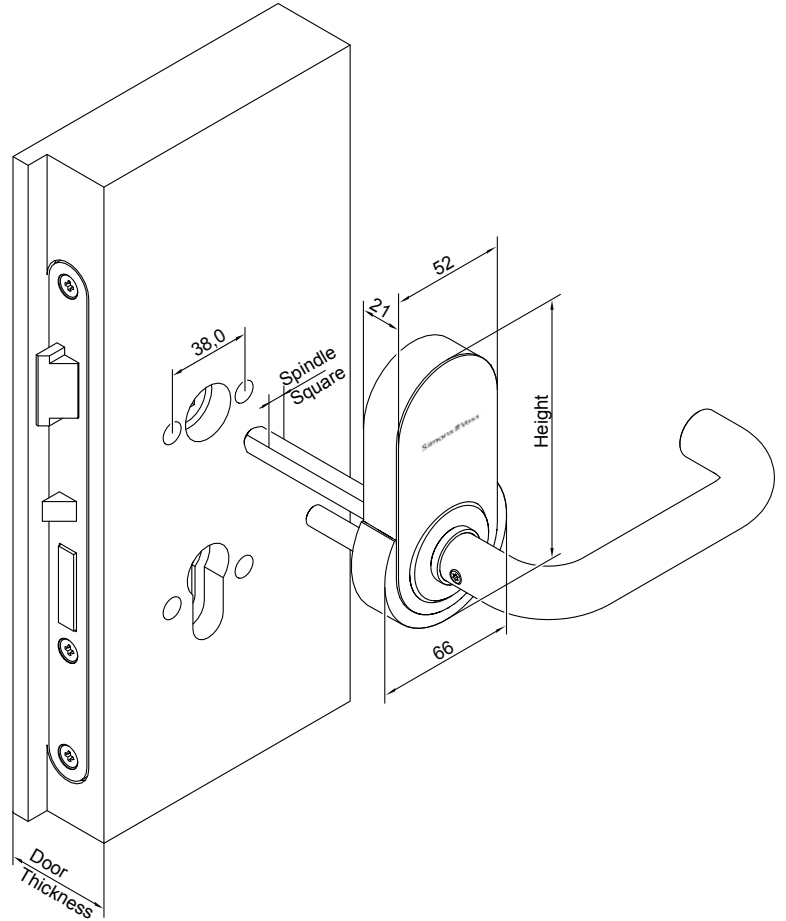
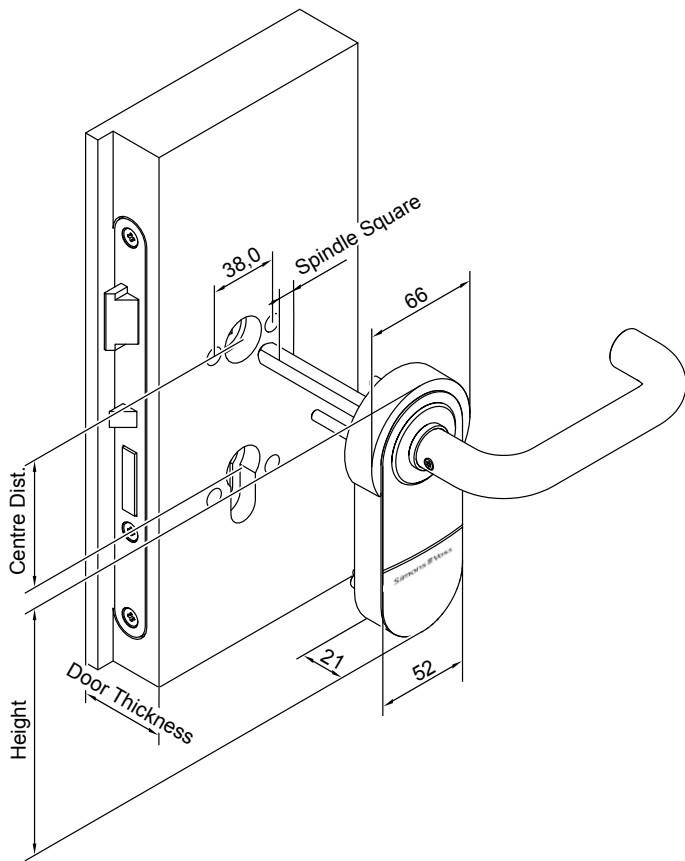
// TECHNICAL DATA

Variants	<ul style="list-style-type: none"> ❑ Euro Profile cylinder (A) ❑ Swiss Round (B) 	Battery life	Up to 300,000 lock operations or up to 10 years on standby (active). Up to 200,000 lock operations or up to 10 years on standby (passive).
Dimensions Variants A0/B0 (WxHxD)	66 x 120 x 21 mm	Temperature range	Operational: -25 °C to +50 °C
Dimensions Variants A1/B1 (WxHxD)	66 x 140 x 21 mm	Protection rating	IP40
Dimensions Variants A2/B2 (WxHxD)	66 x 174 x 21 mm	Signalling	Audible (buzzer), visual (LED – green/red)
Door dimension specifications	<ul style="list-style-type: none"> ❑ Door thickness: 38–200 mm ❑ Centres distance: 7–110 mm ❑ Spindle: 7 8 8.5 9 10 	Loggable access events	Up to 1,500
Read systems	<ul style="list-style-type: none"> ❑ Active transponder technology ❑ Passive (MIFARE® Classic and DESFire®) ❑ Hybrid (active and passive) ❑ BLE ready 	Time zone groups	100+1
Operation types	Online, virtual. network and offline (can be combined)	Number of media which can be managed per SmartHandle AX	Up to 64,000
Battery type	4x CR2450 3V lithium	Radio network	Network-ready with integrated LockNode (can be retrofit)
		Can be upgraded	Firmware upgradable
		Certificates	<ul style="list-style-type: none"> ❑ Certifire CF 5999 ❑ EN 1634 ❑ EN 179 ❑ EN 1906 (Grade 4) ❑ DIN EN 1125 ❑ DIN EN 16867 ❑ PAS24

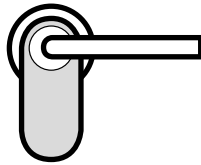
* Scheduled to be available in 2023

// SUSPENDED VARIANT

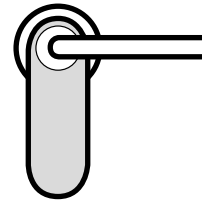
// STATIONARY VARIANT



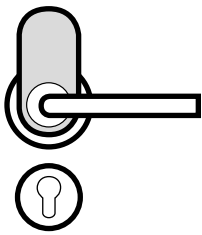
// VARIANTS



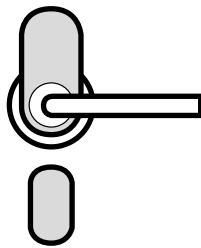
A1/B1 for mortise lock centres distance: 70–79 mm



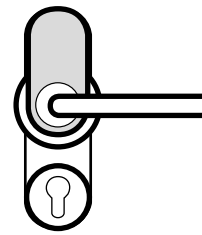
A2/B2 for mortise lock centres distance: 70–110 mm



A0/B0 Can be supplied with escutcheon covers with/without Profile Cylinder cut-out



A3 for metal frame doors with oval escutcheons (50 mm hole pattern) – profile width: min. 65 mm



A4 for panic bar adaptation. Observe compatibility.



// HANDLE

A



C



L



B



D



// FINISHES

 Silver/white

 Silver/black grey

 Brass/white