



NEXT GENERATION
KEYLESS. NOW.

Digital Cylinder AX SMARTINTEGO

The finest in keyless security

Simons Voss
technologies

THE FINEST IN KEYLESS SECURITY

YOUR GAINS IF YOU OPEN AND CLOSE DIGITALLY:

No problem if keys are lost

- ⌘ Misplaced, lost or stolen digital keys can be deactivated at any time.
- ⌘ There is no need for time-consuming replacement of mechanical cylinders and keys.

One access medium for all locking devices

- ⌘ All locking mechanisms can be activated with a digital key.
- ⌘ Suitable for all types of doors, lifts, barriers, roll-up doors and cabinet doors.

Greater control and security

- ⌘ The key holder's rights can be established on an individual basis in digital locking systems with access control.
- ⌘ A few clicks on the PC are sufficient to determine who has access to a particular place at particular times.

Quick, easy installation

- ⌘ Electronic fittings are just as quick and easy to install as conventional models.
- ⌘ Installation is simple with no wiring required on the door, even for retrofits.

Our digital locking solutions have been replacing mechanical locking systems for 25 years. They have triumphed because they meet the highest standards of security, convenience and reliability.

OUR RANGE

Your individual security requirements are diverse – our product portfolio is equally as diverse and modular.

The result: flexible access solutions and intelligent security.

Our range is sustainable and future-oriented:

- ❑ German-made quality makes our products durable and reliable.
- ❑ Low-maintenance technology ensures smooth operation.
- ❑ Our Support Department will assist you if you have any questions.
- ❑ We provide future-proof concepts with constant innovations and backward-compatible system components.

DIGITAL CYLINDER AX

HIGH-QUALITY,
DURABLE,
FUTURE-PROOF

The 5th generation SimonsVoss cylinder is born:
the springboard for ground-breaking innovations
developed on the modern AX platform.



The Digital Cylinder AX is the most powerful cylinder we have ever had. It is also the most user-friendly:
An ergonomic yet compact thumb-turn with optical and audible signals makes operation easier.

We have also given priority to high-quality materials.
This ensures that the Digital Cylinder AX is robust and durable with very low operating costs at all times.

The AX Digital Cylinder represents state-of-the-art technology today. Yet it also contains the future. This is because it is equipped ready for technological advances and has the technical potential for future innovations.

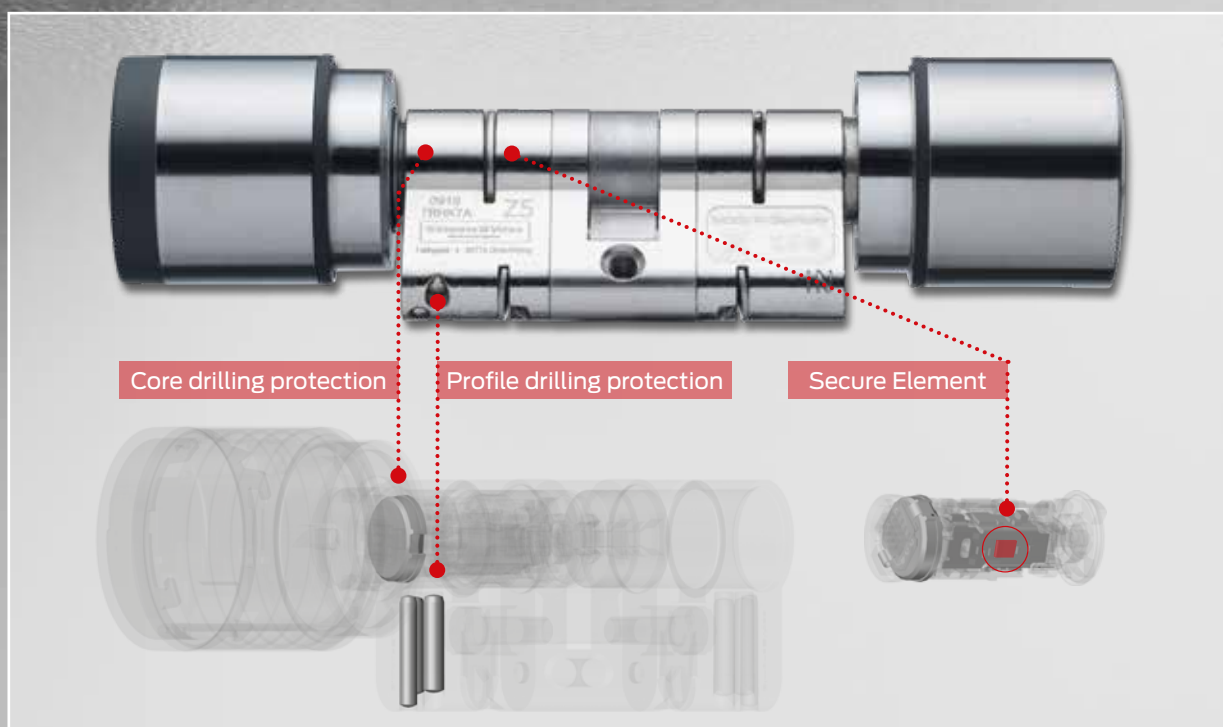
Take a look. Discover it now!

SAFE AND RELIABLE

IP67

- // Encapsulated actuator electronics with integrated SecureElement, protected in the cylinder core
- // SecureElement saves the encrypted system data and is part of the new AX security architecture. An integral part of authentication, this special chip cannot be read from the outside
- // Core and profile drilling protection are integrated in the standard version and protect against external attacks. Proven attack resistance: Highest classification key 2 as per the EN 15684 standard
- // Extremely durable. 1,500,000 operations with regard to mechanical durability verified by an external testing institute (EN 15684 in the highest class 6: 100,000 cycles)
- // Protected against extreme weather influences and ingress of dust and water up to protection class IP67 (temporary immersion; optional .WP version)





FUTURE-PROOF COMMUNICATION

- // Available for Wireless Online (WO) and Virtual Card Network (VCN) systems
- // Integrated Bluetooth Low Energy (BLE) technology
- // Can be integrated into existing system (backward-compatible with existing SimonsVoss components)
- // Extremely fast programming for VCN version

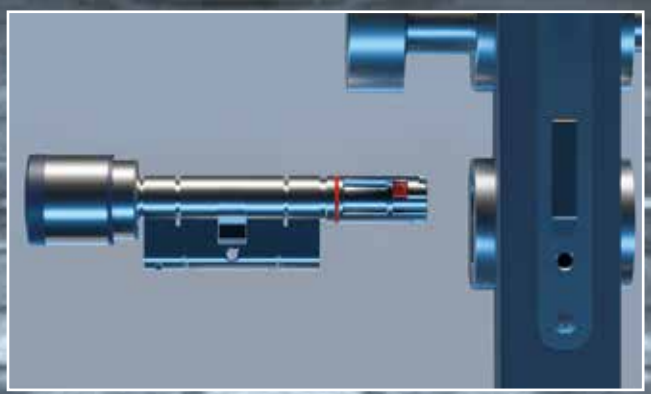




Simons Voss

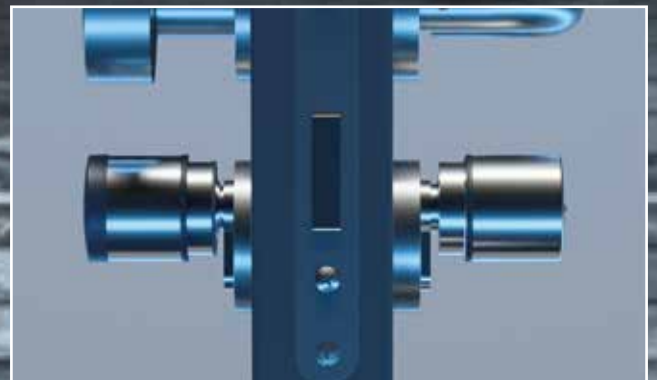
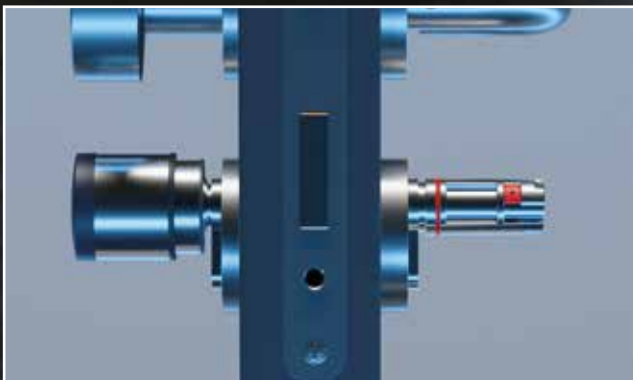


omir



INITIAL OPERATION FASTER AND EASIER THAN EVER BEFORE

- // No wiring or drilling. Extremely fast, uncomplicated installation
- // New locking mechanism with no special tools required for installation



FLEXIBLE THANKS TO MODULAR DESIGN

- // Fast response times for immediate need
- // Future-proof when moving to another building
- // Saves time and costs





Cylinder length can be adjusted in just a few steps

USER-FRIENDLY EVERY DOOR FIRMLY UNDER CONTROL

- // Robust thumb-turn thanks to high-quality materials
- // Optimally pleasant to touch thanks to ergonomic thumb-turns
- // Greater ease of use thanks to visual and audible feedback signals



VERY LOW OPERATING COSTS ENERGY-EFFICIENT, LOW- MAINTENANCE TECHNOLOGY

- // Very long battery life: up to 12 years on stand-by
- // Two-stage warning system (visual/audible) when battery power runs low
- // No special batteries required; can be changed from the outside at any time (standard CR 2450 button cell batteries)
- // No special tool required – battery and installation key used to replace the battery
- // Rapid battery replacement in less than 20 seconds



AT A GLANCE: WHAT THE NEW DIGITAL CYLINDER AX BRINGS YOU



FOR TECHNICIANS:

- // Swift, extremely efficient installation
- // Flexible cylinder adjustment thanks to individually adjustable lengths
- // Standard button cells
- // Battery replaced in no time



FOR DECISION-MAKERS:

- // High-quality and durable
- // Future-proof
- // Very low operating costs
- // German-made



FOR SYSTEM ADMINISTRATORS:

- // Rapid initial operation
- // Quick response in the event of key loss
- // Short intervention time



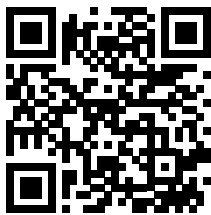
FOR USERS:

- // Ergonomic thumb-turn
- // Non-slip surface, easy to turn
- // Visual and audible feedback signals
- // Intuitive operation

INSTALLATION VIDEOS

DIGITAL CYLINDER AX

You can find all installation videos on our website at ax.simons-voss.com/en or in our **SimonsVoss Media Library** app under Video/Installation videos.



<https://ax.simons-voss.com/en>



SimonsVoss Media Library
SmartIntego



:: Installing the standard cylinder



:: Installing the cylinder with reader on both sides (FD)



:: Extending cylinders



:: Battery replacement



:: Disassembling the thumb-turn

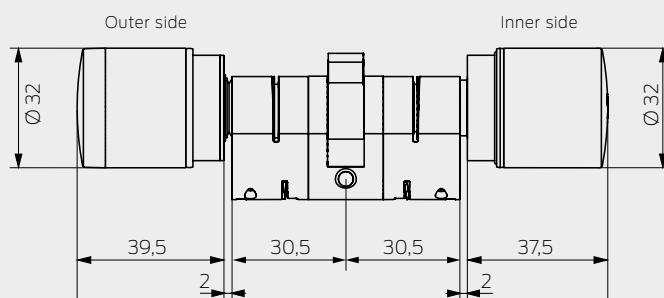


:: Core extension installation

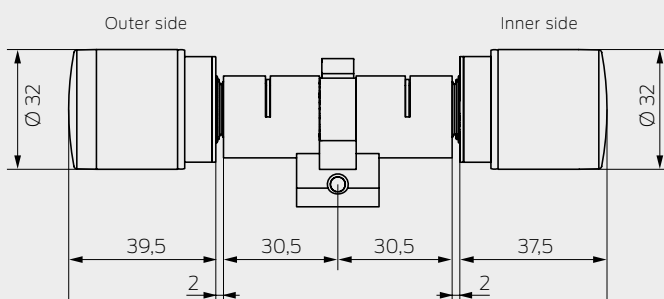
TECHNICAL DATA

Profile cylinder	Profiles	<ul style="list-style-type: none"> :: Euro profile cylinders :: Scandinavian Oval Cylinders :: Swiss Round Cylinders
	Length	from 30–30 mm (EU/SR) Short cylinder 25–25 mm (EU)
Thumb-turns	Material	Reader thumb-turn: Plastic cover, black
		Rotary thumb-turn: stainless steel
	Diameter	32 mm
Reader systems	<ul style="list-style-type: none"> :: Wireless Online reader systems: MIFARE® Classic, MIFARE® DESFire®/EV1/EV2/EV3, UID (card serial number) as per ISO 14443 (e.g. MIFARE®, Legic® Advant, HID® SEOS) :: SimonsVoss Virtual Card Network (VCN): MIFARE® Classic, MIFARE® DESFire®/EV1/EV2/EV3 :: Bluetooth Low Energy (BLE) in pipeline 	
Batteries	Type	CR 2450, 3 V lithium
	Quantity	2 x (standard)
	Battery life	Up to 12 years on stand-by or 100,000 operations (standard)
Ambient conditions	operating temperature	-25° C to +65° C (in accordance with EN 15684)
	Protection rating	IP54 (standard) / IP67 (.WP option)
Features	Feedback signal	Audible (buzzer) and/or visual (LED - green/red)
	Accesses loggable offline	WO: up to 250 if locking device offline VCN: up to 1,000
	Time zone groups	Depends on system integrator
	Max. number of SmartCards per cylinder	Depends on system integrator

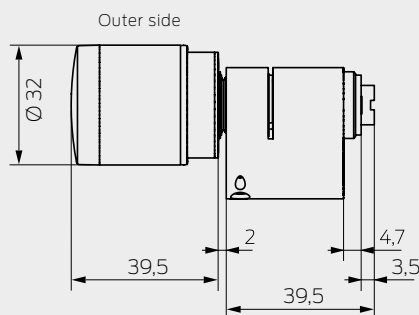
// DIGITAL EURO PROFILE AX



// DIGITAL SWISS ROUND CYLINDER AX

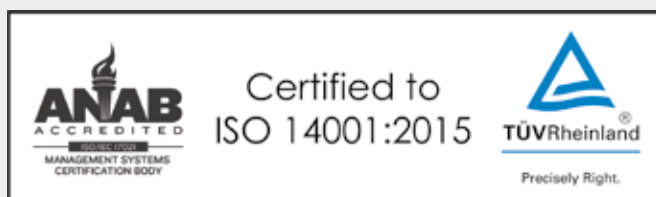


// DIGITAL SCANDINAVIAN OVAL CYLINDER AX



Measurements indicated in mm

- // High quality standards thanks to production in Germany
- // Short transport routes and fast delivery times
- // Certified to ISO 9001 and ISO 14001 for environmental management



Simons Voss
technologies

Made in Germany



This is SimonsVoss

SimonsVoss, the pioneer in remote-controlled, cable-free locking technology provides system solutions with a wide range of products for SOHOs, SMEs, major companies and public institutions. SimonsVoss locking systems combine intelligent functionality, high quality and award-winning design Made in Germany. As an innovative system provider, SimonsVoss focuses on scalable systems, high security, reliable components, powerful software and simple operation. As such, SimonsVoss is regarded as a technology leader in digital locking systems. Our commercial success lies in the courage to innovate, sustainable thinking and action, and heartfelt appreciation of employees and partners.

SimonsVoss is a company in the ALLEGION Group, a globally active network in the security sector. Allegion is represented in around 130 countries worldwide (www.allegion.com).

Made in Germany

SimonsVoss is truly committed to Germany as a manufacturing location: all products are developed and produced exclusively in Germany.

SimonsVoss Technologies GmbH

FeringasträÙe 4
85774 Unterföhring
Germany
Tel. +49 89 992280
info-simonsvoss@allegion.com
www.simons-voss.com/en | www.allegion.com
www.smartintego.com

For general safety and maintenance information, visit www.simons-voss.com/en/security.html

PB.SI-DCAX.EN – 2022.04

© Copyright 2022, SimonsVoss Technologies GmbH, Unterföhring, Germany.
All rights are reserved. Text, images and diagrams are protected under copyright law.
The contents of this brochure must not be copied, distributed or modified. You can find authoritative, detailed technical information in the system manual. Subject to technical changes.
SimonsVoss and MobileKey are registered brands belonging SimonsVoss Technologies GmbH.

SimonsVoss
technologies

A BRAND OF **ALLEGION** 

Made in Germany