

30
60

simons  VOSS

G2 EX transponder

Manual

14.07.2023

Simons  Voss
technologies

Contents

1	General safety instructions	3
2	General	5
2.1	How it works	5
2.2	Incorporating the transponder in different locking systems	6
2.3	Higher-ranking locking level	7
3	Explosion protection transponder	9
3.1	General	9
3.2	Industrial standards	9
3.3	Classification	9
4	Transponder with integrated RFID chip	11
5	G2 battery replacement transponder	12
6	Additional functions	13
6.1	Time zone control	13
6.2	Date of validity	13
6.3	Activation transponder.....	13
7	Loss of the transponder	14
7.1	Emergency opening.....	14
7.2	Replacement transponder [G1]	14
8	Battery warning for transponders	15
9	Technical data	16
9.1	Dimensions.....	17
10	Declaration of conformity	18
11	Help and other information	19

1 General safety instructions

Signal word (ANSI Z535.6)	Possible immediate effects of non-compliance
DANGER	Death or serious injury (likely)
WARNING	Death or serious injury (possible, but unlikely)
PRUDENCE	Minor injury
IMPORTANT	Property damage or malfunction
NOTE	Low or none



WARNING

Blocked access

Access through a door may stay blocked due to incorrectly fitted and/or incorrectly programmed components. SimonsVoss Technologies GmbH is not liable for the consequences of blocked access such as access to injured or endangered persons, material damage or other damage!

Blocked access through manipulation of the product

If you change the product on your own, malfunctions can occur and access through a door can be blocked.

- ❑ Modify the product only when needed and only in the manner described in the documentation.

IMPORTANT

Damage resulting from liquids

This product contains electronic and/or mechanic components that may be damaged by liquids of any kind.

- ❑ Keep liquids away from the electronics.

Damage resulting from aggressive cleaning agents

The surface of this product may be damaged as a result of the use of unsuitable cleaning agents.

- ❑ Only use cleaning agents that are suitable for plastic or metal surfaces.

Operational malfunction due to radio interference

This product may be affected by electromagnetic or magnetic interference.

- ❑ Do not mount or place the product directly next to devices that could cause electromagnetic or magnetic interference (switching power supplies!).

Communication interference due to metallic surfaces

This product communicates wirelessly. Metallic surfaces can greatly reduce the range of the product.

- Do not mount or place the product on or near metallic surfaces.



NOTE

Intended use

SimonsVoss-products are designed exclusively for opening and closing doors and similar objects.

- Do not use SimonsVoss products for any other purposes.

Different times for G2 locks

The internal time unit of the G2 locks has a technical tolerance of up to ± 15 minutes per year.

Qualifications required

The installation and commissioning requires specialized knowledge.

- Only trained personnel may install and commission the product.

Incorrect installation

SimonsVoss Technologies GmbH accepts no liability for damage caused to doors or components due to incorrect fitting or installation.

Modifications or further technical developments cannot be excluded and may be implemented without notice.

The German language version is the original instruction manual. Other languages (drafting in the contract language) are translations of the original instructions.

Read and follow all installation, installation, and commissioning instructions. Pass these instructions and any maintenance instructions to the user.

2 General



Transponder 3064 is a digital "key" which is programmed with locking plan software and functions using contactless, wireless communication. All functions are activated by pressing a button. These include authorisation identification and the opening and locking of doors, gates, barriers, furniture locks and similar items. The transponder communicates with digital components – cylinders, SmartRelays and activation units – by sending and receiving constantly changing crypto codes, which ensure that the system cannot be misused.

As System 3060 functions using active transponder technology, the transponder features its own power source, a battery. Advantages over passive technologies include lower power requirements in the cylinder and the greater operating range.

SimonsVoss supplies different transponder models. These models are described in this document.

The second transponder generation G2 replaces the first generation G1. G2 features a more efficient communication protocol than G1. It will allow you to create larger, more efficient locking systems. Authorisations are also written on both the locking cylinder and the transponder, making programming more flexible.

A G2 system can also form a virtual network, i.e. authorisations and blocking lists are written on the transponder and transmitted to the locking system.

This manual looks at the specific differences between transponders. Read the G2 manual for more details.

The G2 transponder features both the G1 and G2 protocols and can thus be programmed for both locking system generations.

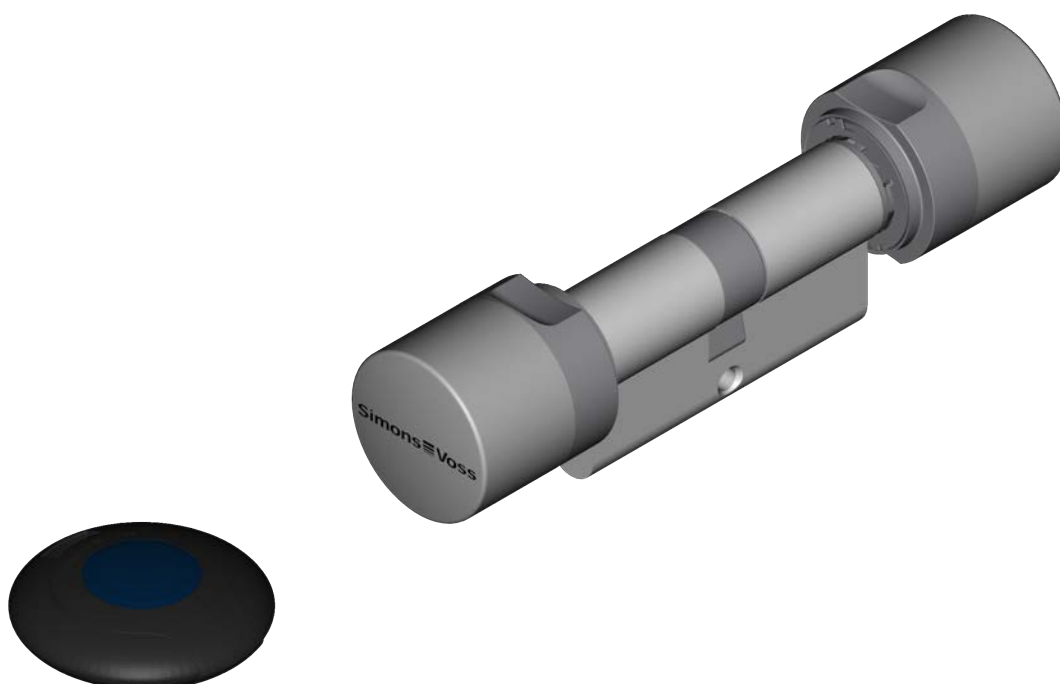
2.1 How it works

To carry out an action, the user holds the transponder close to the digital lock and presses the transponder button.

Refer to the recommended distances:

Digital Cylinder AX	5 cm to 20 cm
Locking Cylinder 3061	15 cm to 40 cm
SmartHandle AX	5 cm to 30 cm
SmartHandle 3062	5 cm to 40 cm
SmartLocker AX	5 cm to 30 cm
Padlock AX	5 cm to 20 cm
Padlock	15 cm to 40 cm
SmartRelais 3 Advanced	5 cm to 100 cm
SmartRelais 2.G2	5 cm to 120 cm

The transponder and locking device then exchange keys and authorisation data. The user can only perform the required action, such as opening or locking the door, if the transponder is authorised for the digital lock.



2.2 Incorporating the transponder in different locking systems

Each transponder can be used in three [G1] or four [G2] completely separate locking systems, providing no areas of validity are programmed. Each locking system receives its own password and is managed separately. The following screen shows an example of use.

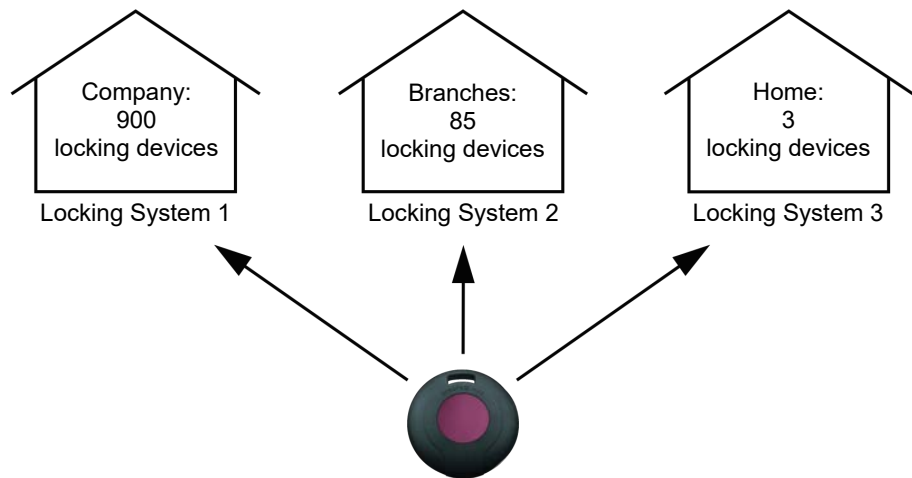


Fig. 1: A transponder for several separate locking systems

2.3 Higher-ranking locking level

Transponders can be authorised for more than three [G1] or four [G2] locking systems. To ensure this is the case, higher-ranking locking levels need to be set up in the locking systems concerned. A maximum of three higher-ranking locking levels can be set up per locking system (green, blue and red).



PRUDENCE

Opening deactivated locking devices using the red level

Transponders which have been assigned to the red locking level can also open deactivated locking devices using a block lock function.

- Assign the red locking level to emergency services such as the fire service only.



NOTE

Reprogramming a higher-ranking locking level

Higher-ranking locking levels can only be programmed directly on the locking device.

200 [G1] or 1024 [G2] transponder IDs (TIDs) are reserved for each level in LSM. Authorisations for different transponders in the higher-ranking locking levels may be different.

The following screen shows an example of use.

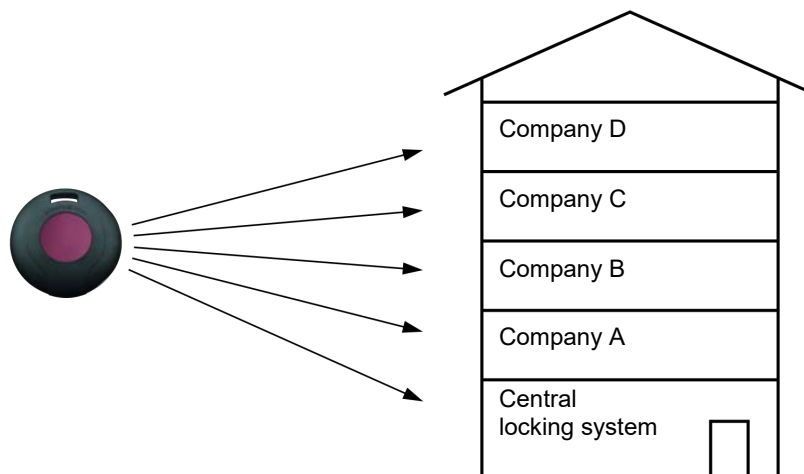


Fig. 2: Higher-ranking transponder

Four companies are based in an office building with a main lock which is used by all the companies. Each company manages its own locking system with its own password. Each employee receives a transponder which is authorised for two locking systems, the main lock and their company's own system. The building management or on-site technicians and cleaning staff require access to all levels. The fire service, for example, requires a transponder which is valid for all five locking systems in the building. They also require access if the alarm system is activated and the block lock function has disabled the locking cylinders. Higher-ranking locking levels are created in each of the five locking systems to provide access to all five locking systems. Each level receives the same password for all locking systems.

3 Explosion protection transponder

3.1 General

This is a transponder which has the same functions as Transponder 3064, see the manual on the website:

<https://www.simons-voss.com/en/documents.html>

It is also approved for use in Explosion Protection Zone 1.

This transponder is a special product which can be carried and used in Zone 1 potentially explosive areas. Zone 1 refers to an area where a potentially explosive atmosphere sometimes occurs during day-to-day operations.



DANGER

Risk of explosion due to misuse

If the transponder is not used as intended, it can cause an explosion in potentially explosive atmospheres.

1. The housing must not be opened.
2. The battery may only be replaced by the manufacturer.
3. If the device is damaged, it must be removed immediately from the hazardous area.
4. Generally observe the technical rules of TRGS 727 when using the device in zone 1.

3.2 Industrial standards

This transponder has been tested in accordance with applicable explosion protection standards. See the following:

- Directive 2014/34/EU
- EN 60079-0 (Equipment for explosive atmospheres)
- EN 60079-11 (Equipment protection by intrinsic safety "ib")

3.3 Classification

The transponder is classified as follows:

Intrinsic safety	ib
Equipment group	II
Category	2G
Explosion group	IIC
Temperature class	T3

Protection level of the device	Gb
--------------------------------	----

This applies to areas where a potentially explosive atmosphere may occur due to gases, vapours or mist. The information given refers to an ambient temperature between -20 °C and +40 °C in the area of use.

4 Transponder with integrated RFID chip

Transponders can be supplied with different integrated RFID chips as an option. These RFID Chips do not necessarily need to be programmed with the LSM software. The active transponder and passive RFID part are independent from one another.

The following different RFID technologies are available:

- EM® 4102
- HITAG® 1
- HITAG® 2
- MIFARE® Classic
- MIFARE® DESFire
- LEGIC® MIM 256
- LEGIC® advant 128

5 G2 battery replacement transponder

A G2 battery replacement transponder can be created in the LSM software (Version 3.0 or higher) for G2 locking systems. If the battery is low, the locking device will switch to freeze mode and can no longer be opened with normal transponders. The battery replacement transponder can eliminate freeze mode when activated on the cylinder. The locking device can then be opened with an authorised transponder. This means you no longer need to take the programming device to enable the locking device.



PRUDENCE

Depleting batteries through misuse

The battery is depleted further each time it opens a locking device in conjunction with a battery replacement transponder. This may lead to the batteries being fully discharged if the transponder is not used for its intended purpose! The batteries must be replaced immediately in such cases.

6 Additional functions

The functions described below can be activated in the LSM software.

6.1 Time zone control

Transponders can be programmed to have locking authorisation for digital access control locking devices at certain times only (time zones). Such time zones are added to the LSM software and the transponders are then allocated to the relevant time zone group.

Example: Mr Smith receives the following authorisations:

Monday to Friday	Between 09:00 and 18:30
Saturday	Between 09:00 and 12:45
Sunday	No authorisation

6.2 Date of validity

Transponder authorisations can be linked to a validity date. The locking device does not need to be an access control locking device.

- Transponders which are valid **from** a specific point in time
(e.g. from 08:00 on July 12, 2005)
- Transponders which are valid **until** a specific point in time
(e.g. until 17:00 on July 12, 2005)
- Transponders which are valid **for** a specific time period
(e.g. between 1 July, 2003 until 31 July, 2005)



NOTE

Data record creation

A data record is created each time for the activation or expiry date.

6.3 Activation transponder

As the result of a Block Lock function, all authorised transponders are blocked for digital locking devices in a safety area when the alarm system is activated to prevent false alarms.

Transponders can be programmed which eliminate this blocking mode and can then be used in an emergency by the fire service, for example (see *Higher-ranking locking level* [▶ 7]). The door can then only be opened using an authorised transponder.

7 Loss of the transponder

7.1 Emergency opening

You may carry out an emergency opening with the SmartCD and PDA and by entering the locking system password.

7.2 Replacement transponder [G1]

If a transponder is lost, it can be blocked in the locking plan and a replacement transponder added. If the locking system is operated in overlay mode [G1], the transponder is automatically disabled as soon as the replacement transponder is activated on the locking device (see LSM manual for programming).

8 Battery warning for transponders

When the transponder battery is low, short audible signals are heard in rapid succession on the locking cylinder (not the transponder) after the locking cylinder disengages each time the transponder is used.

9 Technical data

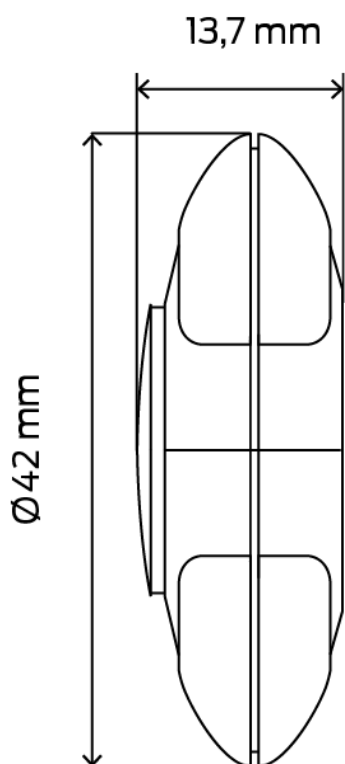
Housing	Material	Weatherproof plastic (polyamide)
	Colours	Housing: black
		Buttons: different colours
	Diameter	42.0 mm
	Height	13.7 mm
Ambient conditions	Temperature range	-20°C to +60°C
	Protection rating	IP66
	Environmental Class	III
Explosion Protection	Validity of explosion protection information	<ul style="list-style-type: none"> ■ This applies to areas where a potentially explosive atmosphere may occur due to gases, vapours or mist. ■ Ambient temperature range: -20°C to +40°C
	Intrinsic safety	ib
	Device group	II
	Category:	2G
	Explosion group	IIC
	Temperature class	T3
	Device protection level	GB
Batteries	Type	CR2032
	Manufacturer	Varta (Panasonic, Sony)
	Number	1x
	Voltage	3 V
	Battery life	Up to 400,000 activations or up to 10 years on standby

Range	Digital Cylinder AX	5 cm to 20 cm
	Locking Cylinder 3061	15 cm to 40 cm
	SmartHandle AX	5 cm to 30 cm
	SmartHandle 3062	5 cm to 40 cm
	SmartLocker AX	5 cm to 30 cm
	Padlock AX	5 cm to 20 cm
	Padlock	15 cm to 40 cm
	SmartRelais 3 Advanced	5 cm to 100 cm
	SmartRelay 2.G2	5 cm to 120 cm

Radio emissions

24.50 kHz - 25.06 kHz	-20 dB μ A/m (10 m distance)
13.564 MHz - 13.564 MHz Only for item numbers: TRA2.G2.EX.RFID.*	

9.1 Dimensions





10 Declaration of conformity

The company SimonsVoss Technologies GmbH hereby declares that the articles (TRA2.G2.EX, TRA2.G2.EX.RFID.*) comply with the following guidelines:

■ 2014/53/EU -RED-

■ 2014/34/EU -ATEX-

ATEX marking:  2004  II 2G Ex ib IIC T3 Gb

■ 2011/65/EU -RoHS-



The full text of the EU Declaration of conformity is available at the following internet address: <https://www.simons-voss.com/en/certificates.html>.

11 Help and other information

Information material/documents

You will find detailed information on operation and configuration and other documents on the website:

<https://www.simons-voss.com/en/documents.html>

Declarations of conformity

You will find declarations of conformity and other certificates on the website:

<https://www.simons-voss.com/en/certificates.html>

Information on disposal

- Do not dispose the device (TRA2.G2.EX, TRA2.G2.EX.RFID.*) in the household waste. Dispose of it at a collection point for electronic waste as per European Directive 2012/19/EU.
- Take the packaging to an environmentally responsible recycling point.



Technical support

Our technical support will be happy to help you (landline, costs depend on provider):

+49 (0) 89 / 99 228 333

Email

You may prefer to send us an email.

support-simonsvoss@allegion.com

FAQs

You will find information and help in the FAQ section:

<https://faq.simons-voss.com/otrs/public.pl>

Address

SimonsVoss Technologies GmbH
Feringastr. 4
D-85774 Unterfoehring
Germany



This is SimonsVoss

SimonsVoss, the pioneer in remote-controlled, cable-free locking technology provides system solutions with a wide range of products for SOHOs, SMEs, major companies and public institutions. SimonsVoss locking systems combine intelligent functionality, high quality and award-winning design Made in Germany.

As an innovative system provider, SimonsVoss focuses on scalable systems, high security, reliable components, powerful software and simple operation. As such, SimonsVoss is regarded as a technology leader in digital locking systems.

Our commercial success lies in the courage to innovate, sustainable thinking and action, and heartfelt appreciation of employees and partners.

SimonsVoss is a company in the ALLEGION Group, a globally active network in the security sector. Allegion is represented in around 130 countries worldwide (www.allegion.com).

Made in Germany

SimonsVoss is truly committed to Germany as a manufacturing location: all products are developed and produced exclusively in Germany.

© 2023, SimonsVoss Technologies GmbH, Unterföhring

All rights are reserved. Text, images and diagrams are protected under copyright law.

The content of this document must not be copied, distributed or modified. More information about this product can be found on the SimonsVoss website. Subject to technical changes.

SimonsVoss and MobileKey are registered brands belonging to SimonsVoss Technologies GmbH.

SimonsVoss
technologies

Made in Germany

A BRAND OF


ALLEGION