

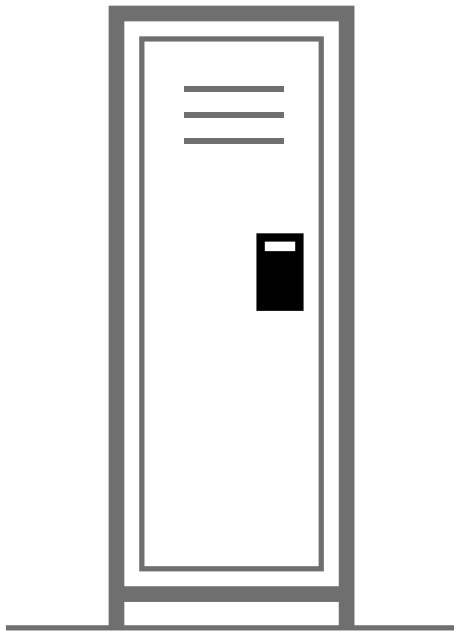


// **FEATURES**

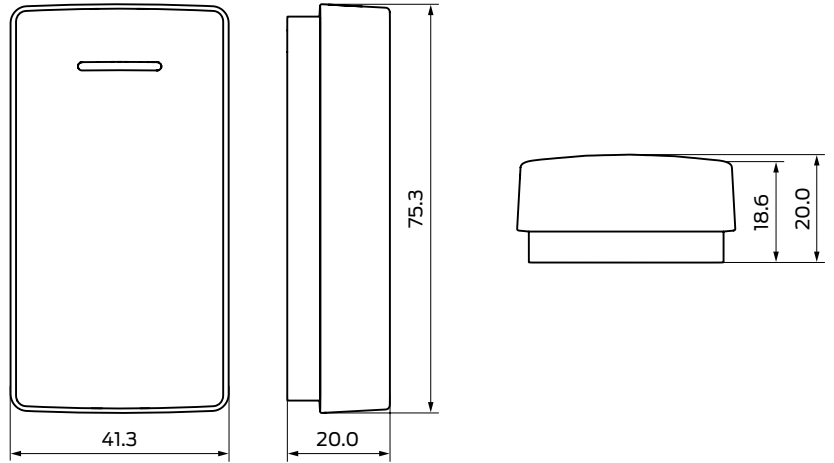
- ❑ Drill-free: easy fitting and installation. SmartLocker AX is fully customizable. The platform offers the right variant for every cabinet door.
- ❑ Quick-Click installation: our Quick-Click system makes installation easy and avoids having to drill additional fixing holes.
- ❑ Bolt inserts: quick and convenient adjustment. Different bolt inserts enable the lock to be optimally positioned in the locker door.
- ❑ Anti-tampering contact on the cover: any tampering attempt is signalled to the integrator software.
- ❑ Emergency power supply via USB: if the batteries should actually be flat, SmartLocker AX can simply be powered and opened via a USB port as a back-up power supply.
- ❑ No more deadbolt blocking: the pre-tensioned bolt spring prevents the bolt from blocking if the locker is too full and objects are pressing against the locker door on the inside.
- ❑ Visual and audible feedback signals: a visual and an audible signal indicate when the lock is opened or closed (can be switched off).
- ❑ Durable: Up to 50,000 openings without changing the battery.  
Cost-effective standard batteries: 2 x AA round cell 1.5 V (alkaline).
- ❑ German-made. A given for us.

// **TECHNICAL DATA**

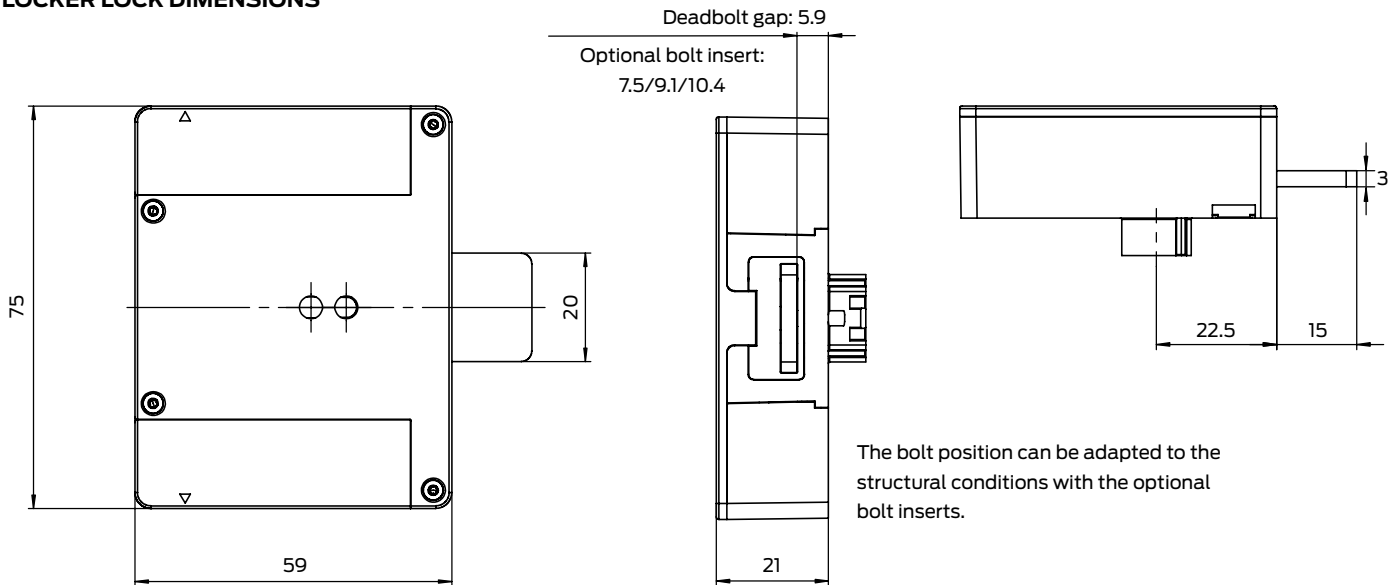
Opening diameter in locker/cabinet	19 mm (double D punch)	Battery type	2 x AA round cell 1.5 V (alkaline)
Lock dimensions (W x H x D)	59 x 75 x 21 mm	Battery life	Up to 50,000 lock operations or up to 5 years on standby
Outer reader dimensions (W x H x D)	41.3 x 75.3 x 20 mm	Temperature range	0 °C to +65 °C
Dead bolt dimensions (W x H x D)	15 x 20 x 3 mm	Protection rating	IP40
Reader systems	<ul style="list-style-type: none"> <li>❑ Wireless Online reader systems: MIFARE® Classic, MIFARE® DESFire®/EV1/EV2/EV3, UID (card serial number) as per ISO 14443 (e.g. MIFARE®, Legic® Advant, HID® SEOS)</li> <li>❑ Virtual Card Network (VCN): MIFARE® Classic, MIFARE® DESFire®/EV1/EV2/EV3</li> <li>❑ Bluetooth Low Energy (BLE) in pipeline</li> </ul>	Radio network	Network-ready with integrated LockNode (WO)
Operation types	Online: WirelessOnline (WO) Offline: Virtual Card Network (VCN)	Feedback signals	Audible (buzzer) Visual (LED - green/red)
		Accesses loggable offline	WO: up to 250 if locking device offline VCN: up to 1,000
		Time zone groups	Depends on system integrator
		Number of media which can be managed per SmartLocker AX	Depends on system integrator



**// READER UNIT DIMENSIONS**

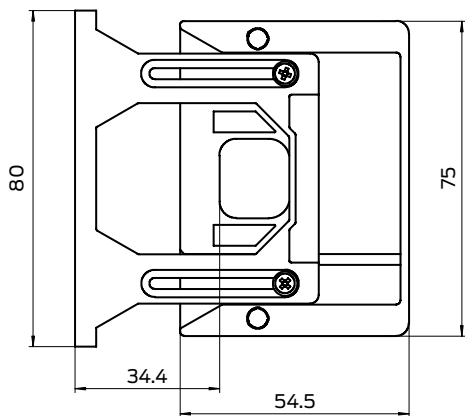


**// LOCKER LOCK DIMENSIONS**



**// DIMENSIONS OF VARIABLE SPACER PLATE**

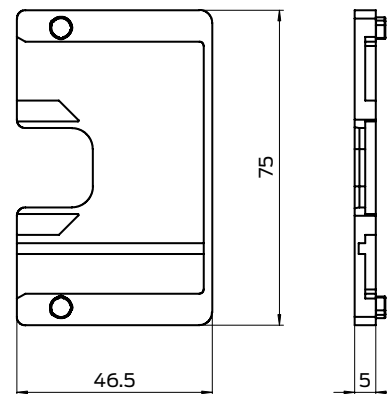
Anti-twist protection to wedge against door rebate in metal doors



Maximum: 34.4 mm  
Minimal: 15 mm

**// DIMENSIONS OF SPACER PLATE**

for adjusting the bolt position



Measurements indicated in mm