



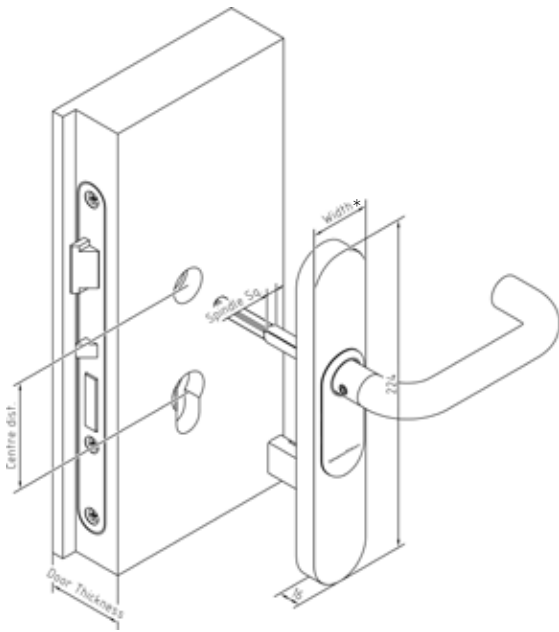
// FEATURES

- ❖ Thanks to drill-free snap-in installation, doors remain undamaged and installation times are reduced enormously.
- ❖ Eminently suitable for exterior doors as weatherproof.
- ❖ Secure, robust design: increased burglary protection with DIN 18257 (ES1), SKG and PAS24 certifications.
- ❖ Cable-free online door monitoring: secure areas can be equipped with DoorMonitoring on request. The cable-free online door monitoring system records, logs and reports all door statuses using sensor control to detect whether doors are open, closed, locked or open too long. It also sends an alert for critical events.
- ❖ Networking can be retrofitted at any time.
- ❖ Award-winning design: SmartHandle 3062 has been honoured with the reddot Design Award a number of times.
- ❖ High backward compatibility: open SmartHandle with your first-generation transponder.
- ❖ Also available in variants with mechanical secondary locking device.

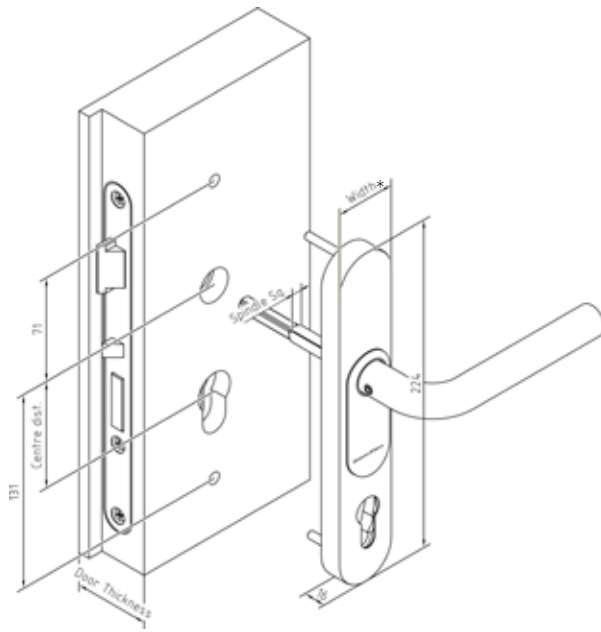
// TECHNICAL DATA

| | | | |
|---|--|--|--|
| Country variants | <ul style="list-style-type: none"> ❖ Euro Profile cylinder (A) ❖ Swiss Round (B) | Battery life | Up to 150,000 lock operations or up to 10 years on standby (active) Up to 65,000 lock operations or up to 6 years on standby (passive) Up to 120,000 lock operations or up to 10 years on standby (hybrid) |
| Dimensions for snap-in and conventional installation (WxHxD): | Euro Profile cylinder/Swiss Round <ul style="list-style-type: none"> ❖ Narrow: 41 x 224 x 16 mm ❖ Wide: 53 x 224 x 16 mm | Temperature range | Operational: -20 °C to +50 °C |
| Door dimension specifications | <ul style="list-style-type: none"> ❖ Door thickness: 39–100 mm ❖ Centres distance: 70–94 mm ❖ Spindle: 7 8 8.5 9 10 | Signalling | Audible (buzzer) Visual (LED, for passive only) |
| Read systems | <ul style="list-style-type: none"> ❖ Active transponder technology ❖ Passive (MIFARE® Classic and DESFire®) ❖ Hybrid (active and passive) | Loggable access events | Up to 3,000 |
| Operation types | Online, virtual, network and offline (can be combined) | Time zone groups | 100+1 |
| Battery type | 2x CR2450 3V lithium | Number of media which can be managed per SmartHandle | Up to 64,000 |
| | | Radio network | Network-ready with integrated LockNode (can be retrofit) |
| | | Can be upgraded | Firmware upgradable |

// DIMENSIONS FOR SNAP-IN INSTALLATION



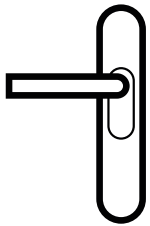
// DIMENSIONS FOR CONVENTIONAL INSTALLATION WITH MECHANICAL SECONDARY LOCKING DEVICE



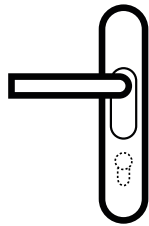
* Available in different widths
Measurements indicated in mm



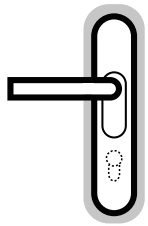
// VARIANTS



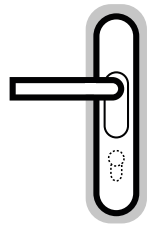
Drill-free snap-in installation (SHA...A/B)



Conventional installation with the option for a mechanical secondary locking device (SHA/SHC/SHD...C-L)



Fastening system for installing on escutcheons with the option of a mechanical secondary locking device* (SHF/SHG...E-L)



Fastening system for metal frame doors with the option of a mechanical secondary locking device* (SHH/SHI...E-L)

* Delivered with an adapter plate for installation

// CERTIFICATES



- Certifire CF 5999
- EN 1634
- EN 179
- EN 1906 (Grade 4)
- DIN 18257 (ES1)
- SKG
- PAS 24



// FINISHES

- Stainless steel, brushed
- Brass



// HANDLE

