

# Measure, define and operate

Intelligent Locking – no key required



**Simons  Voss**  
technologies

**Measure and select the right locking cylinder.**

Before ordering the locking cylinder, the required cylinder size first needs to be measured. Inside and outside dimensions are required. A rule or measuring template is used to measure from the centre of the fastening screw to the end of the inlay.

The cylinders are available in length intervals of 5 mm, i.e., 35 or 40 mm. The cylinder housing should seal as flush as possible. For example, if you measure an external length of 38 mm, you should order a locking cylinder with an outside length of 40 mm (VdS allows an excess of up to 3 mm).

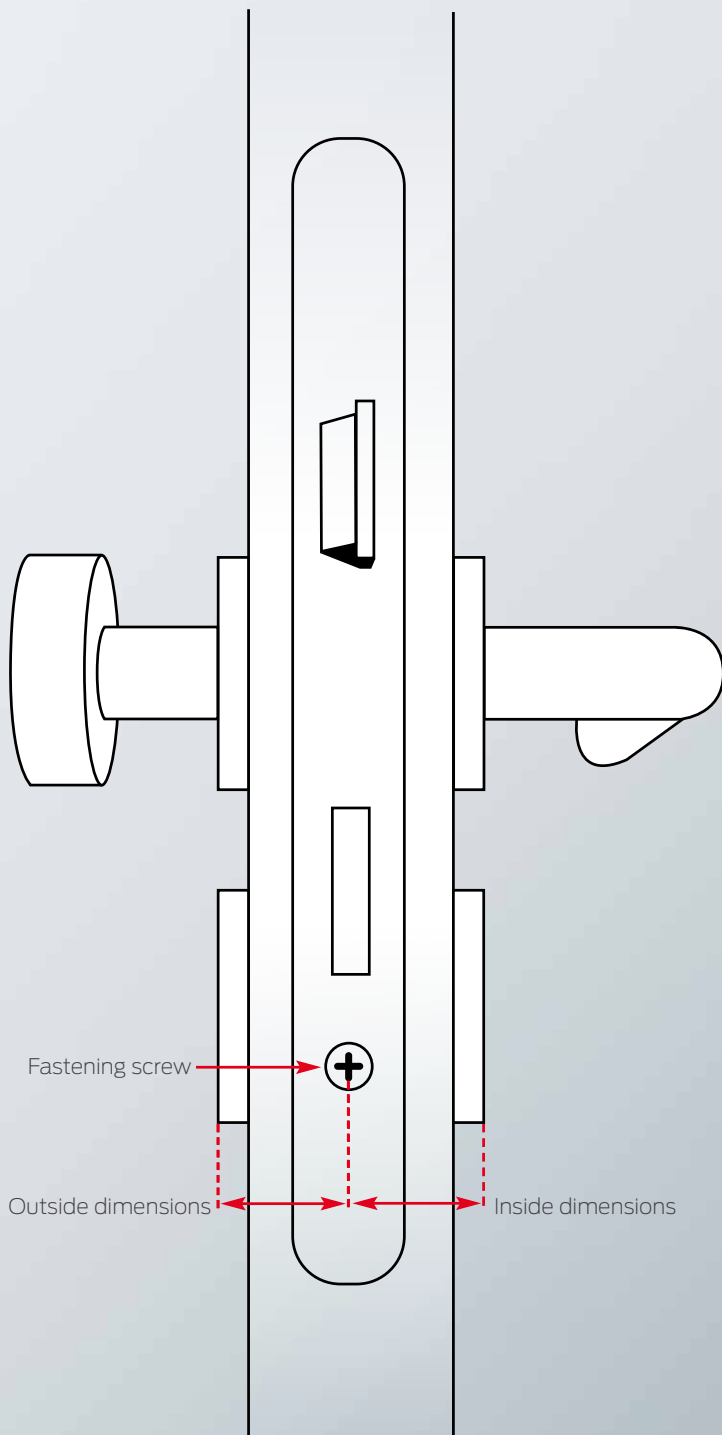
**Once you've taken the measurements, it's time to select the appropriate cylinder.**



There are a wide range of digital locking cylinders available. For example the version with access control, for doors with multi-point locking and fittings with a core protection adapter.



As a half cylinder, it offers you solutions for use in garage doors and lockers, to name but a few.



SimonsVoss Technologies GmbH  
Feringastrasse 4  
85774 Unterföhring  
Germany  
Tel. +49 89 99228-0  
Fax +49 89 99228-222  
info@simons-voss.com  
www.simons-voss.com

© Copyright 2017, SimonsVoss Technologies GmbH, Unterföhring, Germany. All rights are reserved. Text, images and diagrams are protected under copyright law. The contents of this brochure must not be copied, distributed or modified. You can find authoritative, detailed technical information in the system manual. Subject to technical changes. SimonsVoss and MobileKey are registered brands belonging SimonsVoss Technologies GmbH.

## About Allegion™

Allegion (NYSE: ALLE) is a global pioneer in the security sector with leading brands such as CISA®, Interflex®, LCN®, Schlage®, SimonsVoss® and Von Duprin®. Allegion focuses on security for doors and entrance areas, offering a wide variety of solutions for private households, companies, schools and other institutions. Allegion generates a turnover of 2 billion dollars every year and sells its products in almost 130 countries. For more information, visit [www.allegion.com](http://www.allegion.com).

