

# PIN code keypad (offline)

---

## Manual

28.01.2025

## Contents

1.	General safety instructions .....	3
2.	Product-specific safety instructions .....	6
3.	General information.....	7
3.1	Intended use .....	7
4.	How it works.....	8
4.1	Overview .....	8
4.2	Operating modes.....	9
4.3	Operation .....	9
4.3.1	Opening.....	10
5.	Initial operation .....	11
6.	PINs .....	12
6.1	Changing of the Master PIN.....	12
6.2	Programming PINs.....	13
6.3	Deleting PINs .....	14
7.	Transponder .....	16
7.1	Programming the transponders.....	16
7.2	Reading out the transponders .....	18
7.3	Resetting transponders.....	19
8.	Fastening.....	21
9.	Signal.....	22
10.	Battery replacement.....	24
11.	Special functions .....	26
11.1	Double-click simulation (block lock operation on block lock 3066) .....	26
11.2	Other information.....	27
12.	Technical specifications.....	28
12.1	Scale drawing.....	29
12.2	Drilling template .....	30
13.	Declaration of conformity.....	31
14.	Help and other information .....	32

## 1. General safety instructions

### Signal word: Possible immediate effects of non-compliance

WARNING: Death or serious injury (possible, but unlikely)

CAUTION: Minor injury

IMPORTANT: Property damage or malfunction

NOTE: Low or none



### WARNING

#### Blocked access

Access through a door may stay blocked due to incorrectly fitted and/or incorrectly programmed components. SimonsVoss Technologies GmbH is not liable for the consequences of blocked access such as access to injured or endangered persons, material damage or other damage!

#### Blocked access through manipulation of the product

If you change the product on your own, malfunctions can occur and access through a door can be blocked.

- ❑ Modify the product only when needed and only in the manner described in the documentation.

#### Do not swallow battery. Danger of burns from hazardous substances

This product contains lithium button cell batteries. Swallowing the button cell battery, in can result in severe internal burns leading to death in as little as two hours.

1. Keep new and used batteries away from children.
2. If the battery compartment does not close securely, cease using the product and keep it away from children.
3. If you think batteries have been swallowed or are in any part of the body, seek medical attention immediately.

#### Risk of explosion due to incorrect battery type

Inserting the wrong type of battery can cause an explosion.

- ❑ Only use the batteries specified in the technical data.



### CAUTION

#### Fire hazard posed by batteries

The batteries used may pose a fire or burn hazard if handled incorrectly.

1. Do not try to charge, open, heat or burn the batteries.
2. Do not short-circuit the batteries.

## PIN code keypad (offline) (Manual)

### IMPORTANT

#### Damage resulting from electrostatic discharge (ESD) when enclosure is open

This product contains electronic components that may be damaged by electrostatic discharges.

1. Use ESD-compliant working materials (e.g. Grounding strap).
2. Ground yourself before carrying out any work that could bring you into contact with the electronics. For this purpose, touch earthed metallic surfaces (e.g. door frames, water pipes or heating valves).

#### Damage resulting from liquids

This product contains electronic and/or mechanic components that may be damaged by liquids of any kind.

- ❑ Keep liquids away from the electronics.

#### Damage resulting from aggressive cleaning agents

The surface of this product may be damaged as a result of the use of unsuitable cleaning agents.

- ❑ Only use cleaning agents that are suitable for plastic surfaces.

#### Damage as a result of mechanical impact

This product contains electronic components that may be damaged by mechanical impacts of any kind.

1. Avoid touching the electronics.
2. Avoid other mechanical influences on the electronics.

#### Damage due to polarity reversal

This product contains electronic components that may be damaged by reverse polarity of the power source.

- ❑ Do not reverse the polarity of the voltage source (batteries or mains adapters).

#### Operational malfunction due to radio interference

This product may be affected by electromagnetic or magnetic interference.

- ❑ Do not mount or place the product directly next to devices that could cause electromagnetic or magnetic interference (switching power supplies!).

#### Communication interference due to metallic surfaces

This product communicates wirelessly. Metallic surfaces can greatly reduce the range of the product.

- ❑ Do not mount or place the product on or near metallic surfaces.
-

## PIN code keypad (offline) (Manual)



### NOTE

#### Intended use

SimonsVoss-products are designed exclusively for opening and closing doors and similar objects.

- ❑ Do not use SimonsVoss products for any other purposes.

#### Malfunctions due to poor contact or different discharge

Contact surfaces that are too small/contaminated or different discharged batteries can lead to malfunctions.

1. Only use batteries that are approved by SimonsVoss.
2. Do not touch the contacts of the new batteries with your hands.
3. Use clean and grease-free gloves.
4. Always replace all batteries at the same time.

#### Qualifications required

The installation and commissioning requires specialized knowledge.

- ❑ Only trained personnel may install and commission the product.

#### Incorrect installation

SimonsVoss Technologies GmbH accepts no liability for damage caused to doors or components due to incorrect fitting or installation.

Modifications or further technical developments cannot be excluded and may be implemented without notice.

The German language version is the original instruction manual. Other languages (drafting in the contract language) are translations of the original instructions.

Read and follow all installation, installation, and commissioning instructions. Pass these instructions and any maintenance instructions to the user.

## 2. Product-specific safety instructions

---

### **IMPORTANT**

#### **Master PIN loss**

The Master PIN is an essential, integral part of the security concept. No more administrative changes can be made to the device if the Master PIN is lost.

1. Keep the Master PIN in a safe place.
  2. Make the Master PIN visible for authorized persons at any time.
-

### 3. General information



#### 3.1 Intended use

The PIN code keypad 3068 can be used to activate SimonsVoss locking devices *such as locking cylinders, SmartHandles or SmartRelays*, by entering a numerical code.

The PIN code keypad 3068 is integrated into the locking system using the corresponding locking system software.

- The PIN code keypad 3068 can store up to 3 User PINs, which can be regarded as 3 separate transponders.
- User PINs may contain between 4 and 8 characters.
- You can configure User PINs directly on the PIN code keypad 3068 by entering the Master PIN first.

## 4. How it works

The PIN code keypad 3068 is a digital key that opens SimonsVoss locking devices via radio once the correct PINs have been entered. The PIN code keypad 3068 uses one of the three integrated transponders for this purpose.

To configure the system, at least one PIN must be programmed (see *Programming PINs* [▶ 13]) and the associated integrated transponder must be programmed to match the desired locking device (see *Programming the transponders* [▶ 16]).

The PIN code keypad 3068 is IP65 protected and therefore also suitable for outdoor use. Due to the battery supply, it can be installed wirelessly independently of existing power connections. It can be programmed with the LSM software and used seamlessly in the System 3060.

### 4.1 Overview

The PIN code keypad 3068 consists of two components:

- PIN code input field with evaluation
- Integrated transponders

If the PIN entered in the input field is recognised as correct, the input field triggers the corresponding integrated transponder.

With the PIN code keypad 3068, you can operate all SimonsVoss locking devices (such as SmartRelays, cylinders, SmartHandles and activation units, etc.) with the PIN code keypad 3068 at any time. You can create up to three independent user groups. If you carry out a reprogramming that only affects one user group, you only have to inform this user group.

If you use SimonsVoss locking devices with ZK function (access and time zone control), you can also grant a person or user group temporary rights to the locking device. You can also log which PIN was used when to operate a locking device.

You can operate the same locking device with different User PINs. Since you give each user group a different User PIN, you can grant the user groups different access rights.

Conversely, it is not possible to control different locking devices with the same PIN code keypad 3068 via different User PINs, as the signal is sent to all locking devices simultaneously. This does not ensure that the locking device that matches the User PIN entered is addressed. In this case, the locking device is not operated although the correct User PIN has been entered.



## 4.2 Operating modes

The PIN code keypad 3068 differentiates between four operating modes.

Status	Explanation
Standby	Sleep mode. The PIN code keypad 3068 consumes very little energy.
Opening	Active mode. The PIN code keypad 3068 checks the input and, if the input is correct, actuates the locking device via radio (see <i>How it works</i> [▶ 8] and <i>Operation</i> [▶ 9]).
Programming	PIN programming: The individual PINs (max. three) are programmed/reset directly via the keyboard (see PIN programming). <i>Programming PINs</i> [▶ 13]).
	Transponder programming: The associated integrated transponders (max. three) are programmed/reset via the LSM software (see <i>Programming the transponders</i> [▶ 16]).
Battery warning	Low battery. A two-stage battery warning system signals you in good time when you need to change the battery (see <i>Signal</i> [▶ 22] und <i>Battery replacement</i> [▶ 24]).



### NOTE

#### Locked programming with low battery

If the battery warning is active, you cannot change the programming of the PIN code keypad 3068. You cannot change or delete any User PIN.

1. Replace the batteries (see *Battery replacement* [▶ 24]).
2. Perform the desired change.

## 4.3 Operation

Once you have put the PIN code keypad 3068 into operation and programmed it, the PIN code keypad 3068, together with a SimonsVoss locking device, forms a so-called "mental lock" in System 3060.

You programme the PINs directly on the PIN code keypad 3068, while you programme the integrated transponders with the LSM software and thus integrate them into the System 3060.

### 4.3.1 Opening

You open the locking device to which the integrated transponder has been assigned as follows:

- ✓ At least one PIN programmed.
- ✓ At least one integrated transponder assigned to the locking device.
- ❑ Enter a previously programmed PIN.



#### NOTE

##### Duration of input

A too long period of time between the entries terminates the entry.

- ❑ Enter the digits less than five seconds apart.

- ↳ If you have entered a correct PIN, the PIN code keypad 3068 signals with two green flashes and beeps that the entry was correct.
- ↳ Integrated transponder activates the locking device.

## 5. Initial operation

Initial operation is performed in three steps.

1. Change the master PIN (see *Changing of the Master PIN* [▶ 12]).
2. Programme one or more PINs (see *Programming PINs* [▶ 13]).
3. Authorise the assigned transponders on the locking device (*Programming the transponders* [▶ 16]).

## 6. PINs

The PIN code keypad 3068 distinguishes between one Master PIN and up to three User PINs. With the Master PIN it is possible to make changes to the programming of the PIN code keypad 3068, with the User PINs it is possible to operate the assigned locking device.



### NOTE

Enter the numbers consecutively. The PIN code keypad 3068 only signals the pressing of the keys, but not completion of the individual steps in the process.

### Cancellation of actions

All actions can be cancelled by not making any further inputs. The PIN code keypad 3068 will cancel the action after a waiting period.

### Battery warning locks programming

If one of the two battery warning levels is active, the programming cannot be changed.

1. Replace the batteries (see *Battery replacement* [▶ 24]).
2. Change the programming as required.

## 6.1 Changing of the Master PIN

The Master PIN is only used to change the programming on the PIN code keypad 3068. You cannot operate any locking devices with the Master PIN.

### IMPORTANT

#### Master PIN loss

The Master PIN is an essential, integral part of the security concept. No more administrative changes can be made to the device if the Master PIN is lost.

1. Keep the Master PIN in a safe place.
2. Make the Master PIN visible for authorized persons at any time.

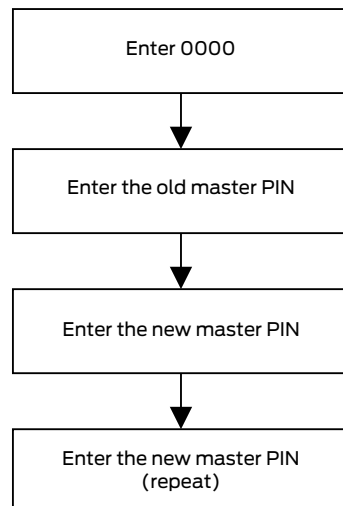
You only have to change the Master PIN during initial operation, after which the change is optional.

1. Enter the number sequence 0000.
2. Enter the old Master PIN (factory setting: 12345678).
3. Enter the new Master PIN.

**NOTE****Requirements for the Master PIN**

The Master PIN must be secure. It must therefore meet the following requirements.

1. The Master PIN must consist of eight characters.
  2. The digits of the Master PIN must not be consecutive.
  3. The Master PIN must not begin with 0.
- 
4. Enter the new Master PIN again.
    - ↳ PIN code keypad 3068 beeps and flashes green twice.
    - ↳ Master PIN is changed.



## 6.2 Programming PINs

You can programme up to three User PINs in the PIN code keypad 3068.

Each User PIN behaves like its own transponder. The individual User PINs must therefore be programmed separately in the respective transponders.

If you do not want to use all User PINs, leave them unprogrammed.

1. Enter the number sequence 0.
2. Enter the Master PIN.
3. Enter the number of the User PIN (for example, 1 for User PIN no. 1).
4. Specify the number that determines the length of the User PIN (for example, 4 for a four-digit User PIN).
5. Enter the new User PIN.



**NOTE**

**Requirements for the User PIN**

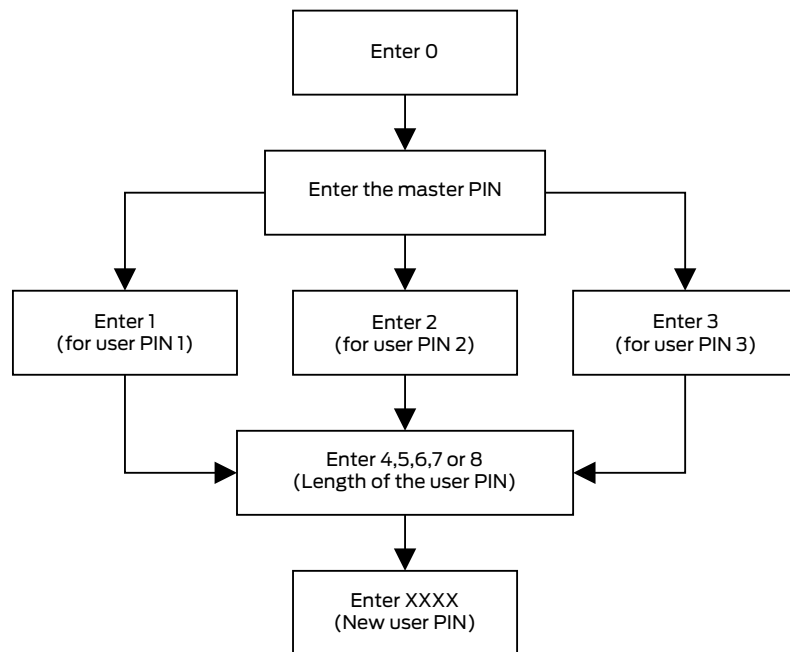
The User PIN must be secure. It must therefore meet the following requirements:

1. The User PIN must consist of four to eight characters.
2. The digits of the User PIN must not be consecutive.
3. The digits of the User PIN may not be identical.
4. The User PIN must not begin with 0.
5. The User PINs may not be identical.

↳ PIN code keypad 3068 beeps and flashes green twice.

↳ User PIN is programmed.

Repeat the process to programme other User PINs in the PIN code keypad 3068.



**6.3 Deleting PINs**

You can delete a User PIN by setting the length of the User PIN to zero.

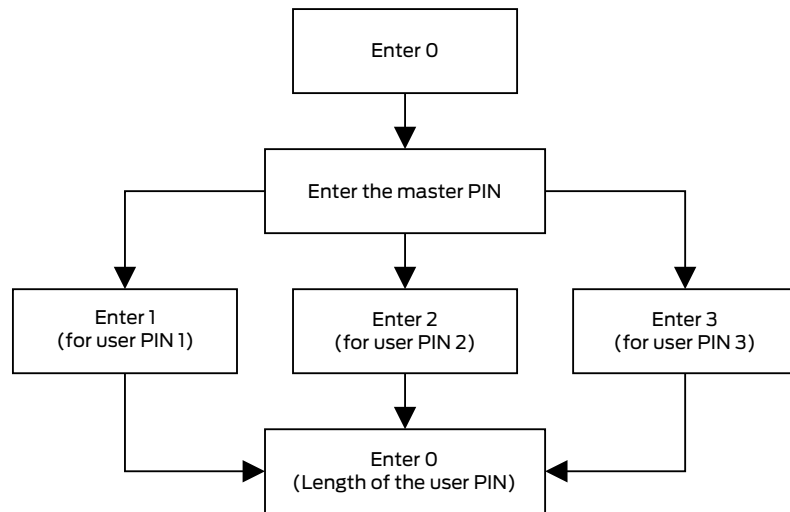
1. Enter the number sequence 0.
2. Enter the Master PIN.
3. Enter the number of the User PIN (for example, 1 for User PIN no. 1).
4. Specify the number that determines the length of the User PIN (0 in this case).

↳ PIN code keypad 3068 beeps and flashes green twice.

↳ User PIN is deleted.

Deleted User PINs can no longer be used to operate the locking device.

If you do not want to use all User PINs, leave them unprogrammed.



## 7. Transponder

Each User PIN is assigned to one of the three integrated transponders. If you want to use and differentiate between the different User PINs, you must programme the integrated transponders individually (see *Programming the transponders* [▶ 16]).

Each of the three integrated transponders has its own transponder ID (TID). This TID is stored in the locking device when a ZK (access and time control) locking device is activated. This allows you to see which PIN operated which locking device and when.



### NOTE

Enter the numbers consecutively. The PIN code keypad 3068 only signals the pressing of the keys, but not completion of the individual steps in the process.

#### Cancellation of actions

All actions can be cancelled by not making any further inputs. The PIN code keypad 3068 will cancel the action after a waiting period.

#### Battery warning locks programming

If one of the two battery warning levels is active, the programming cannot be changed.

1. Replace the batteries (see *Battery replacement* [▶ 24]).
2. Change the programming as required.

### 7.1 Programming the transponders

Each PIN is assigned to one of the three integrated transponders.

PIN	Transponder
User PIN 1	Transponder 1
User PIN 2	Transponder 2
User PIN 3	Transponder 3



### NOTE


#### No access due to incorrect assignment

If you do not observe the assignment, a user may not be able to use their User PIN.

1. When programming, select the correct number of the corresponding User PIN!
2. Check the assignment after programming by activating a locking device (see *Opening* [▶ 10]).



### Create entry for the User PIN

1. In the LSM software (same locking plan), click on the button **New transponder** .
    - ↳ The window "New transponder" opens.
  2. In the dropdown menu ▼ **Type** select the entry "G1 Pin code".
  3. Click on the **OK** button.
    - ↳ Window closes.
- ↳ The entry for User PIN is created.

Repeat these steps for all other User PINs that you want to create.

### Programming PIN code keypad 3068

1. Select the User PIN entry in the matrix.
2. Open the context menu by right-clicking on the entry of the User PIN in the matrix.
3. Select the context menu entry **Programming**.
  - ↳ The window "Transponder Programming" opens.
4. Enter the number sequence 00.
5. Enter the Master PIN.
6. Click on the **Programming** button.
7. Enter the number of the User PIN (for example, 1 for User PIN no. 1).



#### NOTE

##### Radio error

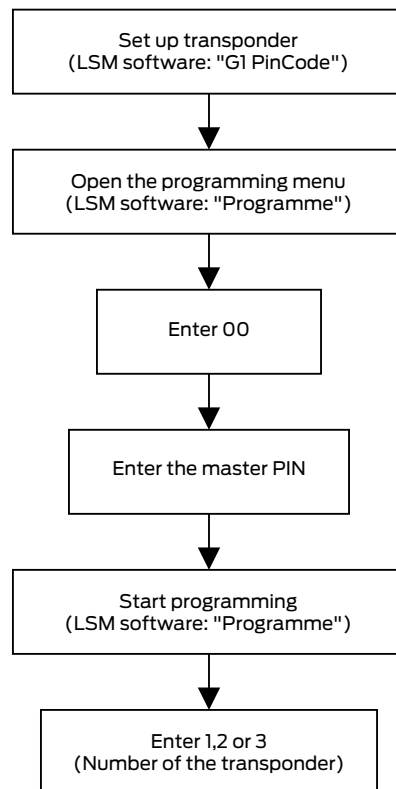
If you hold the transponder too close to the programming device or activate the transponder too early, the radio link cannot be established.

1. Keep a distance of about 20 cm!
2. Do not activate the transponder until you are prompted in the LSM software to press the transponder button.

- ↳ Programming is performed.
- ↳ PIN code keypad 3068 beeps and flashes green twice.
- ↳ "Programming successful" window is displayed.
- ↳ User PIN was linked to the entry in the matrix.


Repeat the programming for all other User PINs that you want to assign.

If you do not want to use all User PINs, leave them unprogrammed.



## 7.2 Reading out the transponders

You can read out the integrated transponders.

1. Click the button **Read transponder** .  
↳ The window "Programming" opens.
2. Enter the User PIN whose transponder you want to read out.



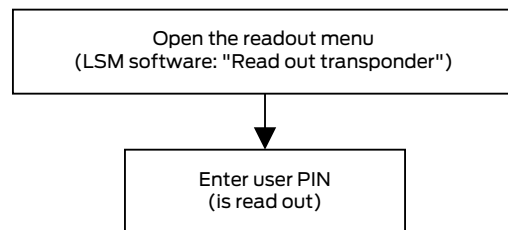
### NOTE

#### Radio error

If you hold the transponder too close to the programming device or activate the transponder too early, the radio link cannot be established.

1. Keep a distance of about 20 cm!
2. Do not activate the transponder until you are prompted in the LSM software to press the transponder button.

- ↳ The transponder is read out.
- ↳ PIN code keypad 3068 beeps and flashes green twice.
- ↳ The window "Read transponder data" opens.



### 7.3 Resetting transponders

You can reset the integrated transponders at any time using the LSM software.

1. Read out the transponder that you want to reset (see *Reading out the transponders* [▶ 18]).
2. Enter the number sequence 00.
3. Enter the Master PIN.
4. Click on the **Reset** button.
  - ↳ The window "LockSysMgr" opens.
5. Click on the **Yes** button.
  - ↳ Window closes.
6. Enter the number of the User PIN (for example, 1 for User PIN no. 1).
  - ↳ PIN code keypad 3068 beeps and flashes green twice.



#### NOTE

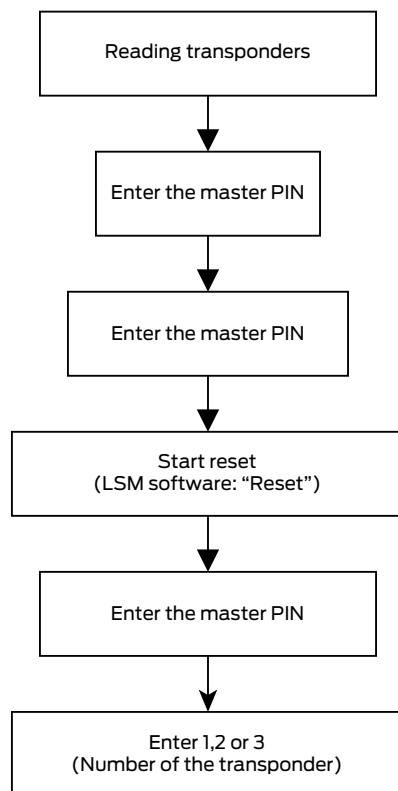
##### Radio error

If you hold the transponder too close to the programming device or activate the transponder too early, the radio link cannot be established.

1. Keep a distance of about 20 cm!
2. Do not activate the transponder until you are prompted in the LSM software to press the transponder button.

↳ The window "Programming" opens.

↳ The transponder is reset.



## 8. Fastening

Mounting material is included in the scope of delivery. Choose a mounting that is right for you.

### Bond (quick and easy)

✓ Surface dry, free of dust and grease.

1. Glue the supplied adhesive pad centrally onto the transparent base part.
2. Align the unit without touching the ground.
3. Press the device to mount it.

### Screws (secure)

✓ Screwdriver (Torx TX6) present.

✓ If necessary, drilling machine present.

1. Unscrew the screws holding the cover in place.



2. Remove the cover.
3. Position the base plate.
4. Screw or anchor the base plate tightly.
5. Replace the cover.
6. Press the cover against the base plate and screw the cover back in place.



## 9. Signal

LED flashing	beeper	Meaning	Cause
1 x green, short	1×	Number entry	You have entered a number.
2 x green, short	2×	Transponder, active	You have entered a correct PIN.
		Programming successful	You have successfully programmed an integrated transponder.
		Reset successful	You have successfully reset an integrated transponder.
		Master PIN changed	You have successfully changed the Master PIN.
1 x red, long	1 x long	Incorrect entry	You have entered an incorrect User PIN or the incorrect Master PIN.
Yellow (1 Hz)	beeping (1 Hz) Duration: 10 s	Battery Warning Level 1	The batteries PIN code keypad 3068 are low. The PIN code keypad 3068 operates the locking device only after a delay of ten seconds. Replace the batteries (see <a href="#">Battery replacement [▶ 24]</a> ). Changes to the programming are no longer possible until the battery is changed.

LED flashing	beeper	Meaning	Cause
Yellow (1 Hz)	beeping (1 Hz) Duration: 20 s	Battery Warning Level 2	<p>The batteries PIN code keypad 3068 are very low. The PIN code keypad 3068 operates the locking device only after a delay of twenty seconds. Change the batteries immediately (see <i>Battery replacement</i> [▶ 24]), otherwise the PIN code keypad 3068 may not function. Changes to the programming are no longer possible until the battery is changed.</p>
Red (1 Hz)	beeping (1 Hz) Duration: 60 s	Multiple incorrect entry (5x)	<p>You have entered an incorrect User PIN or the incorrect Master PIN multiple times. The PIN code keypad 3068 beeps and flashes red for 60 seconds. You cannot make any entries during this time. Then enter a correct User PIN or one that Master PIN.</p>

## 10. Battery replacement

To change the batteries, you must open the housing . For this you need a Torx screwdriver size 6 (not included in delivery)!

### IMPORTANT

#### Damage to the electronics due to fluids or static discharge

Do not touch electronics/components; do not allow them to come into contact with oil, paint, moisture, alkali or acids.



### NOTE

#### Shorter battery life due to poor contact

Skin oil impairs contact between the battery and the battery holder.

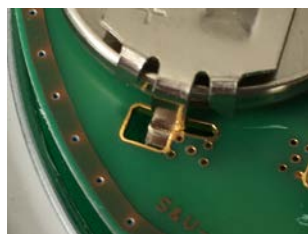
1. Do not touch the contacts on new batteries with your hands when replacing old ones.
2. Use clean cotton gloves free of fat or grease.

1. Unscrew the two screws in the bottom of the housing completely.
2. Remove the front of the housing.
3. Using a screwdriver, slide one side of the battery brackets into the designated opening.

### IMPORTANT

#### The spring tension of the clamps causes the clamps to jump out.

The clamps are under tension. They can jump out and get lost when you release them.



4. Remove the battery.
5. Remove all other batteries in the same way.



### NOTE

All batteries are discharged at approximately the same rate. Therefore, replace all batteries at the same time.



6. Insert the new batteries with the positive pole facing upward (Duracell, Murata, Panasonic or Varta CR2032 (3V) batteries).
  7. Carefully hook the battery clips back into the circuit board.
  8. Replace the front of the housing.
  9. Screw the two screws back in the bottom of the housing completely.
- ↳ The batteries have been replaced.

## 11. Special functions

### 11.1 Double-click simulation (block lock operation on block lock 3066)

You can use the PIN code keypad 3068 for activating SimonsVoss activation units (VdS block lock 3066). If a correct PIN has been entered, the activation unit is addressed. The block lock then activates or deactivates the alarm system. You can meet the requirements of VdS Class C to SG6 with the integration of a so-called mental lock.

The VdS-certified SimonsVoss activation units require a double opening protocol for activation/deactivation (= double click if a transponder is to be used to activate or deactivate). The PIN code keypad 3068 can simulate this double-click and thus perform activation/deactivation operations. The double-click simulation is not activated by default.

For this, you must mount the PIN code keypad 3068 within the transmitting range of the activation unit. You can then activate the double-click simulation.

#### IMPORTANT

##### Malfunctions due to double-click simulation

The double-click simulation is only intended for operation with a SimonsVoss Block Lock 3066. It can cause malfunctions on other components.

- ❑ Activate double-click simulation only if you are using a SimonsVoss Block Lock 3066!



#### NOTE

##### Cancellation of actions

All actions can be cancelled by not making any further inputs. The PIN code keypad 3068 will cancel the action after a waiting period.

Enter the numbers consecutively. The PIN code keypad 3068 only signals the pressing of the keys, but not completion of the individual steps in the process.

##### Battery warning locks programming

If one of the two battery warning levels is active, the programming cannot be changed.

1. Replace the batteries (see *Battery replacement* [▶ 24]).
2. Change the programming as required.

##### Activate double-click simulation

1. Enter the number sequence 000.
2. Enter the Master PIN.

3. Enter the number sequence 92.
  - ↳ PIN code keypad 3068 beeps and flashes green twice.
  - ↳ Double-click simulation is activated.

### Deactivate double-click simulation

1. Enter the number sequence 000.
2. Enter the Master PIN.
3. Enter the number sequence 91.
  - ↳ PIN code keypad 3068 beeps and flashes green twice.
  - ↳ Double-click simulation is deactivated.

## 11.2 Other information

The following transponder functions are not available with the PIN code keypad 3068:

- Quasiproximity
- Validity mode
- Expiry mode

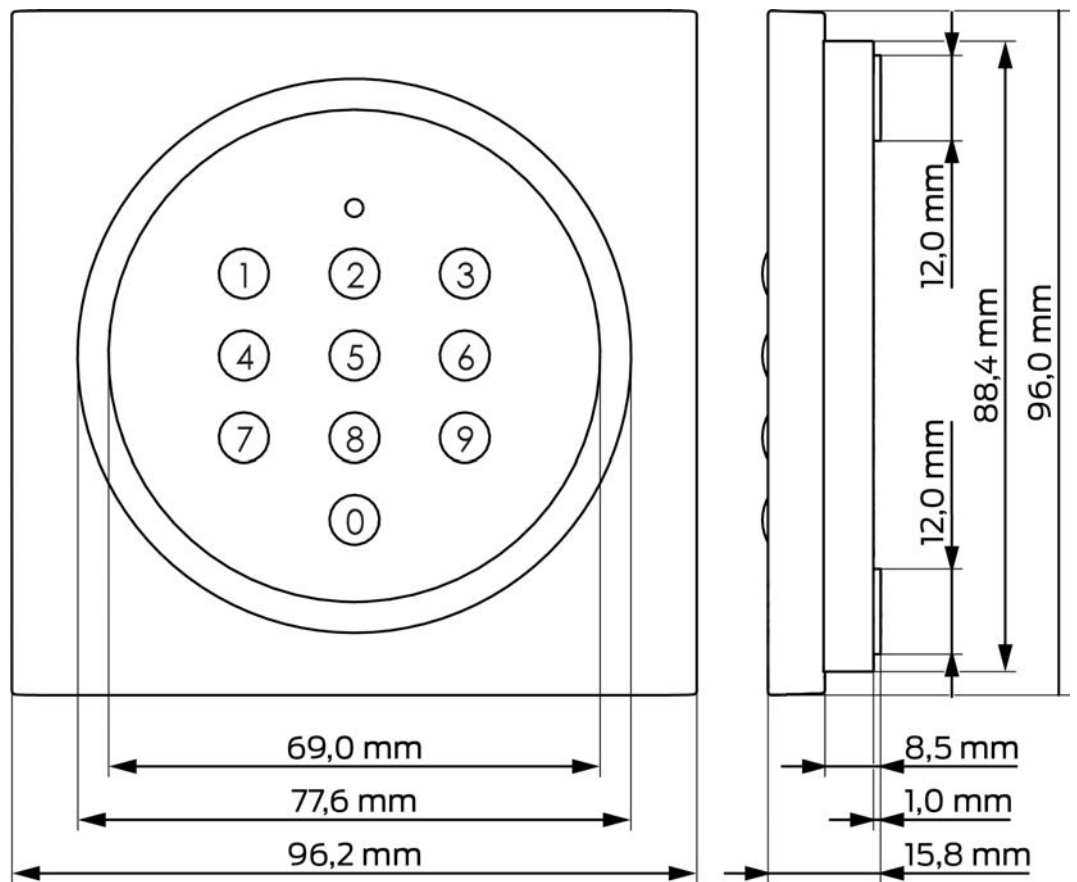
## 12. Technical specifications

Dimensions:	96 mm × 96 mm × 14 mm
Batteries:	2 × CR 2032 (3V) <i>Always replace all batteries with new, approved, brand-name batteries when changing them!</i> Batteries coated with bitter substances are not suitable.
Approved battery manufacturers:	<ul style="list-style-type: none"> <li>■ Duracell</li> <li>■ Murata</li> <li>■ Panasonic</li> <li>■ Varta</li> </ul>
Battery life:	Up to 100,000 operations or up to 10 years on standby
Distance to cylinder:	Max. 20 cm to 40 cm (depending on type)
Distance to Smart-Handle:	Max. 40 cm
Distance to SmartRelay:	Max. 120 cm
Protection class:	IP 65
Operating temperature:	-20 °C to +50 °C
Signal elements:	Different colour LEDs (red, green, yellow) + audible signals
Marking:	PHI number (physical hardware identifier)
Colour (housing):	<ul style="list-style-type: none"> <li>■ Silver ABS plastic housing similar to RAL 9007 acc. to form. 19900841</li> <li>■ semi-transparent rear panel/base plate</li> </ul>
Colour (key labelling):	Anthracite grey similar to RAL 7016

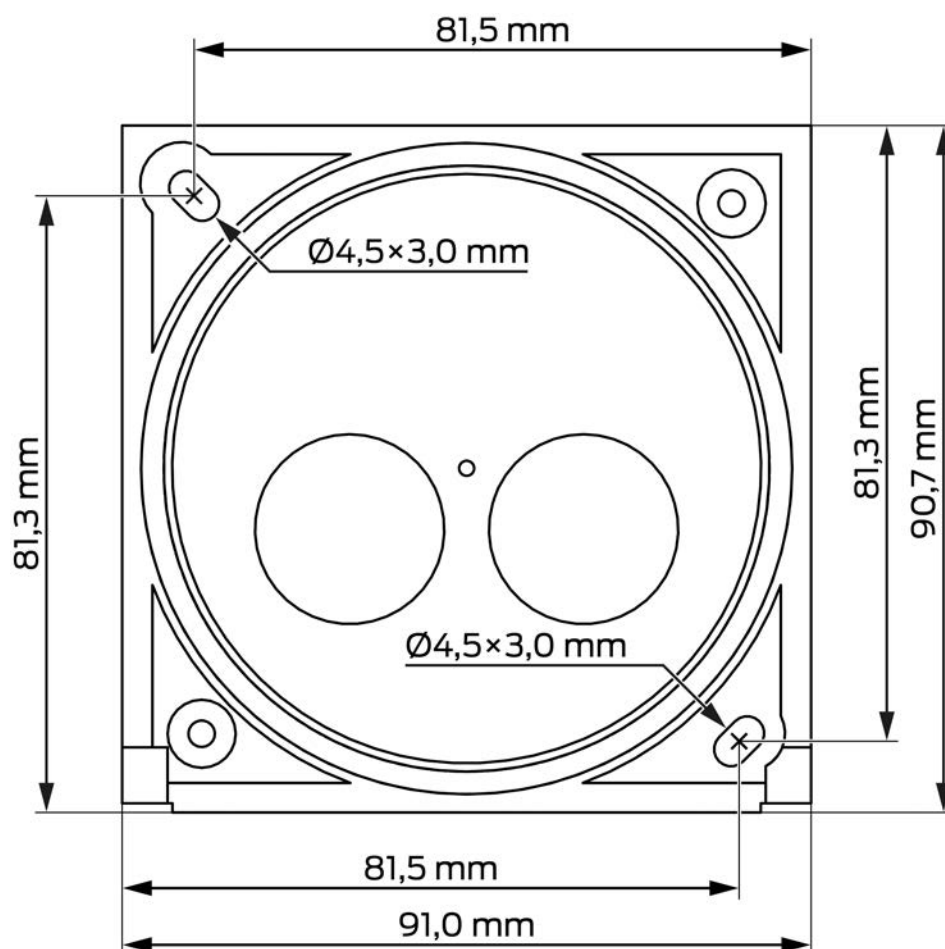
### Radio emissions

24.50 kHz - 25.06 kHz	-20 dB $\mu$ A/m (10 m distance)
-----------------------	----------------------------------

12.1 Scale drawing



12.2 Drilling template



### 13. Declaration of conformity

The company SimonsVoss Technologies GmbH hereby declares that the articles (TRA.PINCODE) comply with the following guidelines:

- 2014/53/EU -RED-  
or for the UK: UK statutory 2017 No. 1206 -Radio equipment-
- 2011/65/EU -RoHS-  
or for the UK: UK statutory 2012 No. 3032 -RoHS-



The full text of the EU Declaration of conformity is available at the following internet address: [www.simons-voss.com/en/certificates.html](http://www.simons-voss.com/en/certificates.html).

The full text of the UK Declaration of conformity is available at the following internet address: [www.simons-voss.com/en/certificates.html](http://www.simons-voss.com/en/certificates.html).

## 14. Help and other information

### Information material/documents

You will find detailed information on operation and configuration and other documents on the website:

<https://www.simons-voss.com/en/documents.html>

### Declarations of conformity

You will find declarations of conformity and other certificates on the website:

<https://www.simons-voss.com/en/certificates.html>

### Information on disposal

- Do not dispose the device (TRA.PINCODE) in the household waste. Dispose of it at a collection point for electronic waste as per European Directive 2012/19/EU.
- Recycle defective or used batteries in line with European Directive 2006/66/EC.
- Observe local regulations on separate disposal of batteries.
- Take the packaging to an environmentally responsible recycling point.



### Technical support

Our technical support will be happy to help you (landline, costs depend on provider):

+49 (0) 89 / 99 228 333

### Email

You may prefer to send us an email.

[support-simonsvoss@allegion.com](mailto:support-simonsvoss@allegion.com)

### FAQs

You will find information and help in the FAQ section:

<https://faq.simons-voss.com/otrs/public.pl>



**Address**

SimonsVoss Technologies GmbH  
Feringastr. 4  
D-85774 Unterfoehring  
Germany



## This is SimonsVoss

SimonsVoss, the pioneer in remote-controlled, cable-free locking technology provides system solutions with a wide range of products for SOHOs, SMEs, major companies and public institutions. SimonsVoss locking systems combine intelligent functionality, high quality and award-winning design Made in Germany.

As an innovative system provider, SimonsVoss focuses on scalable systems, high security, reliable components, powerful software and simple operation. As such, SimonsVoss is regarded as a technology leader in digital locking systems.

Our commercial success lies in the courage to innovate, sustainable thinking and action, and heartfelt appreciation of employees and partners.

SimonsVoss is a company in the ALLEGION Group, a globally active network in the security sector. Allegion is represented in around 130 countries worldwide ([www.allegion.com](http://www.allegion.com)).

### Made in Germany

SimonsVoss is truly committed to Germany as a manufacturing location: all products are developed and produced exclusively in Germany.

© 2025, SimonsVoss Technologies GmbH, Unterföhring

All rights are reserved. Text, images and diagrams are protected under copyright law.

The content of this document must not be copied, distributed or modified. More information about this product can be found on the SimonsVoss website. Subject to technical changes.

SimonsVoss and MobileKey are registered brands belonging to SimonsVoss Technologies GmbH.

**SimonsVoss**  
technologies

Made in Germany

A BRAND OF

  
**ALLEGION**