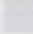




Simons  Voss



MobileKey PIN code keyboard online

Manual

28.01.2025

Simons  Voss
technologies

Contents

1.	Intended use.....	3
2.	General safety instructions	4
3.	Product-specific safety instructions	7
4.	Configuration	8
4.1	Changing the master PIN.....	8
4.2	Determining the PIN length	9
4.3	Set to storage mode	9
5.	Setup	11
6.	Installation.....	12
7.	Operation	13
8.	Battery replacement.....	14
8.1	Battery test.....	15
9.	Signals.....	16
10.	Technical specifications.....	18
10.1	Scale drawing.....	19
10.2	Drilling template	20
11.	Declaration of conformity	21
12.	Help and other information	22

1. Intended use

Locks can be operated by entering an authorised User PIN using the network-capable PIN code keypad online (see chapter *Operation* [[▶ 13](#)]).

The following steps are necessary for this:

- With the keypad: Configure PIN code keypad online (see *Configuration* [[▶ 8](#)]).
- With the MobileKey web app: Assign PIN code keypad online to a lock and create at least one User PIN.

You can programme the PIN code keypad online using the MobileKey web app. The PIN code keypad online is added as a "key" with PINs and assigned to a lock.

The PIN code keypad online contains a LockNode with a "Chip ID" and is assigned to the SmartBridge located within range when the network is configured. If a correct user PIN length has been entered, the PIN is transmitted to the server via WaveNet, where it is evaluated.

2. General safety instructions

Signal word: Possible immediate effects of non-compliance

WARNING: Death or serious injury (possible, but unlikely)

CAUTION: Minor injury

IMPORTANT: Property damage or malfunction

NOTE: Low or none



WARNING

Blocked access

Access through a door may stay blocked due to incorrectly fitted and/or incorrectly programmed components. SimonsVoss Technologies GmbH is not liable for the consequences of blocked access such as access to injured or endangered persons, material damage or other damage!

Blocked access through manipulation of the product

If you change the product on your own, malfunctions can occur and access through a door can be blocked.

- Modify the product only when needed and only in the manner described in the documentation.

Do not swallow battery. Danger of burns from hazardous substances

This product contains lithium button cell batteries. Swallowing the button cell battery, in can result in severe internal burns leading to death in as little as two hours.

1. Keep new and used batteries away from children.
2. If the battery compartment does not close securely, cease using the product and keep it away from children.
3. If you think batteries have been swallowed or are in any part of the body, seek medical attention immediately.

Risk of explosion due to incorrect battery type

Inserting the wrong type of battery can cause an explosion.

- Only use the batteries specified in the technical data.



CAUTION

Fire hazard posed by batteries

The batteries used may pose a fire or burn hazard if handled incorrectly.

1. Do not try to charge, open, heat or burn the batteries.
2. Do not short-circuit the batteries.

IMPORTANT

Damage resulting from electrostatic discharge (ESD) when enclosure is open

This product contains electronic components that may be damaged by electrostatic discharges.

1. Use ESD-compliant working materials (e.g. Grounding strap).
2. Ground yourself before carrying out any work that could bring you into contact with the electronics. For this purpose, touch earthed metallic surfaces (e.g. door frames, water pipes or heating valves).

Damage resulting from liquids

This product contains electronic and/or mechanic components that may be damaged by liquids of any kind.

- ❑ Keep liquids away from the electronics.

Damage resulting from aggressive cleaning agents

The surface of this product may be damaged as a result of the use of unsuitable cleaning agents.

- ❑ Only use cleaning agents that are suitable for plastic surfaces.

Damage as a result of mechanical impact

This product contains electronic components that may be damaged by mechanical impacts of any kind.

1. Avoid touching the electronics.
2. Avoid other mechanical influences on the electronics.

Damage due to polarity reversal

This product contains electronic components that may be damaged by reverse polarity of the power source.

- ❑ Do not reverse the polarity of the voltage source (batteries or mains adapters).

Operational malfunction due to radio interference

This product may be affected by electromagnetic or magnetic interference.

- ❑ Do not mount or place the product directly next to devices that could cause electromagnetic or magnetic interference (switching power supplies!).

Communication interference due to metallic surfaces

This product communicates wirelessly. Metallic surfaces can greatly reduce the range of the product.

- ❑ Do not mount or place the product on or near metallic surfaces.
-



NOTE

Intended use

MobileKey-products are designed exclusively for opening and closing doors and similar objects.

- ❑ Do not use MobileKey products for any other purposes.

Malfunctions due to poor contact or different discharge

Contact surfaces that are too small/contaminated or different discharged batteries can lead to malfunctions.

1. Only use batteries that are approved by SimonsVoss.
2. Do not touch the contacts of the new batteries with your hands.
3. Use clean and grease-free gloves.
4. Always replace all batteries at the same time.

Qualifications required

The installation and commissioning requires specialized knowledge.

- ❑ Only trained personnel may install and commission the product.

Incorrect installation

SimonsVoss Technologies GmbH accepts no liability for damage caused to doors or components due to incorrect fitting or installation.

Modifications or further technical developments cannot be excluded and may be implemented without notice.

The German language version is the original instruction manual. Other languages (drafting in the contract language) are translations of the original instructions.

Read and follow all installation, installation, and commissioning instructions. Pass these instructions and any maintenance instructions to the user.

3. Product-specific safety instructions

IMPORTANT

Master PIN loss

The Master PIN is an essential, integral part of the security concept. No more administrative changes can be made to the device if the Master PIN is lost.

1. Keep the Master PIN in a safe place.
 2. Make the Master PIN visible for authorized persons at any time.
-

4. Configuration



NOTE

Setup not possible before configuration

An unconfigured PIN code keypad online is not found during the setup.

- Carry out the configuration before setting up (Master PIN and length of the User PINs).

Cancellation of actions

All actions can be cancelled by not making any further inputs. The PIN code keypad online will cancel the action after a waiting period.

4.1 Changing the master PIN

You only need to carry out this step if no new Master PIN has been programmed yet. You cannot start any configurations until you change the Master PIN. The Master PIN can be changed at any time. No programming is required to make a change. The Master PIN is unable to open any locks.

Type in the numbers for the individual steps consecutively and carry out the steps one after the other without pausing.

1. Press and hold 0 for about two seconds.
2. Enter 000.
3. Enter the default or old Master PIN (default: 123 456 78).
 - ↳ PIN code keypad online beeps and flashes green briefly twice.
4. Enter the new Master PIN.
 - ↳ The new Master PIN must consist of 8 digits and must not start with 0.
5. Enter the new Master PIN again.
 - ↳ PIN code keypad online beeps and flashes green briefly twice.
 - ↳ The Master PIN has been successfully changed.

IMPORTANT

Master PIN loss

The Master PIN is an essential, integral part of the security concept. No more administrative changes can be made to the device if the Master PIN is lost.

1. Keep the Master PIN in a safe place.
2. Make the Master PIN visible for authorized persons at any time.

4.2 Determining the PIN length

The User PIN may be between 1 and 9 digits long; 8 digits is the standard configuration.



NOTE

The selected user PIN length and the selected PIN length in the configuration interface must be the same length!

1. Set the same length for the user PIN on the PinCode keyboard and in the configuration interface.
2. For security reasons, choose a length of at least four digits.

Type in the numbers for the individual steps consecutively and carry out the steps one after the other without pausing.

1. Press and hold 0 for about two seconds.
2. Enter the Master PIN.
 - ↳ PIN code keypad online beeps and flashes green briefly twice.
3. Enter the length of the User PIN – e.g. 4 for a 4-digit User PIN.
 - ↳ PIN code keypad online beeps and flashes green briefly twice.
 - ↳ The User PIN length has been successfully changed.

4.3 Set to storage mode



NOTE

If the PIN code keypad online is to be used in a different system, the PIN code keypad online not only needs to be deleted in the configuration view, but also set to storage mode.

The PIN code keypad online can be reset to storage mode. This process also deletes all network settings.

Type in the numbers for the individual steps consecutively and carry out the steps one after the other without pausing.

1. Press and hold 0 for about two seconds.
2. Enter 0000.
3. Enter the Master PIN.
 - ↳ PIN code keypad online beeps and flashes green briefly twice.
 - ↳ Storage mode set.



NOTE

If the PIN code keypad online is already in storage mode, it cannot be set to storage mode again. In such a case, the process will be interrupted with a red flashing light and beeping for a long time.

5. Setup

The PIN code keypad online is programmed in the MobileKey web app (<https://app.my-mobilekey.com> - Prerequisite: Configuration completed, see *Configuration* [▶ 8]).

6. Installation

The PIN code keypad online can be mounted with the included material.

- The fastest and easiest method is to glue the PIN code keypad online with the included glue pad.
- For a more robust mount we recommend to use the included screws. This requires a "TX6" screwdriver to open the enclosure (not included).

Install the PIN code keypad online within the range of a SmartBridge (radio range up to 30 m). You'll find the specific details in the quick guide on the SmartBridge or the MobileKey manual. There is no need to install within the range of the associated door. However, we recommend installing the PIN code keypad online near the lock since it does not emit any visual or audible feedback signals on the door opening status.

7. Operation



NOTE

Both the PIN code keypad online and the lock must have a stable network connection, so that the PIN code keypad online can send signals to the networked lock via the network.

Cancellation of actions

All actions can be cancelled by not making any further inputs. The PIN code keypad online will cancel the action after a waiting period.

- ✓ PIN code keypad online has been successfully configured. (Master PIN)
- ✓ The User PIN length has been programmed correctly.
- ✓ There is a stable network connection.
- ❑ Enter a User PIN. You have a maximum of 3 seconds to enter each individual number.
- ↳ PIN code keypad online beeps and flashes green once after a User PIN with a valid length has been entered.

The PIN code keypad online sends the entered User PIN via radio. The process in detail:

1. The PIN code keypad online sends the entered User PIN to the Smart-Bridge via the WaveNet.
If the SmartBridge has successfully received the PIN event, the PIN code keypad online issues a positive acknowledgement (see *Signals* [▶ 16]).
2. The SmartBridge sends the entered User PIN to the MobileKey server via the network (TCP/IP).
3. The MobileKey server compares the User PIN entered with the User PINs created in the MobileKey web app.
4. If there is a match, an opening command is sent via the network (TCP/IP) to the SmartBridge, which then opens the networked lock via the WaveNet).

8. Battery replacement

To change the batteries, you must open the housing . For this you need a Torx screwdriver size 6 (not included in delivery)!

IMPORTANT

Damage to the electronics due to fluids or static discharge

Do not touch electronics/components; do not allow them to come into contact with oil, paint, moisture, alkali or acids.



NOTE

Shorter battery life due to poor contact

Skin oil impairs contact between the battery and the battery holder.

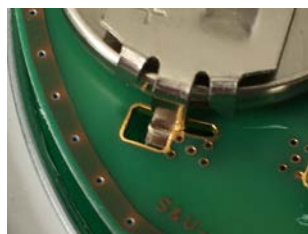
1. Do not touch the contacts on new batteries with your hands when replacing old ones.
2. Use clean cotton gloves free of fat or grease.

1. Unscrew the two screws in the bottom of the housing completely.
2. Remove the front of the housing.
3. Using a screwdriver, slide one side of the battery brackets into the designated opening.

IMPORTANT

The spring tension of the clamps causes the clamps to jump out.

The clamps are under tension. They can jump out and get lost when you release them.



4. Remove the battery.
5. Remove all other batteries in the same way.



NOTE

All batteries are discharged at approximately the same rate. Therefore, replace all batteries at the same time.

6. Insert the new batteries with the positive pole facing upward (Duracell, Murata, Panasonic or Varta CR2032 (3V) batteries).
 7. Carefully hook the battery clips back into the circuit board.
 8. Replace the front of the housing.
 9. Screw the two screws back in the bottom of the housing completely.
- ↳ The batteries have been replaced.

8.1 Battery test

Perform a battery test every time that you replace the batteries. This way, you ensure that the batteries used are fully functional.

Type in the numbers for the individual steps consecutively and carry out the steps one after the other without pausing.

1. Press and hold 0 for about two seconds.
2. Enter 000001.

↳ PIN code keypad online signals the battery level (see [Signals \[▶ 16\]](#)).

9. Signals

LED colour	LED flashing	Buzzer	Event	Explanation
Red	8x	4 x	Power-on reset	Reset after battery replacement – batteries not OK
	1x	1x	Error	Error occurred
			User PIN length incorrect	Length of the User PIN entered not correct
			User PIN not received	Entered User PIN not received by SmartBridge
Orange	3x	3x	Abort	Current action has been cancelled
	4 x	4 x	Power-on reset	Reset after battery replacement in operating mode – batteries OK
Green	2x	2x	Master PIN changed	Master PIN successfully changed
			PIN length changed	Length of the User PIN successfully changed
			User PIN received	Entered User PIN received by Smart-Bridge
	1x	1x	User PIN length correct	Length of the User PIN entered correct

Tab. 1: General signals

LED colour	LED flashing	Buzzer	Event	Explanation
Red	4 x	4 x	Battery Warning 2	Battery very low
Orange	4 x	4 x	Battery Warning 1	Low battery

LED colour	LED flashing	Buzzer	Event	Explanation
Green	3x	3x	Full capacity	Batteries fully charged
	1x	1x	Battery "OK"	Batteries OK

Tab. 2: Battery test

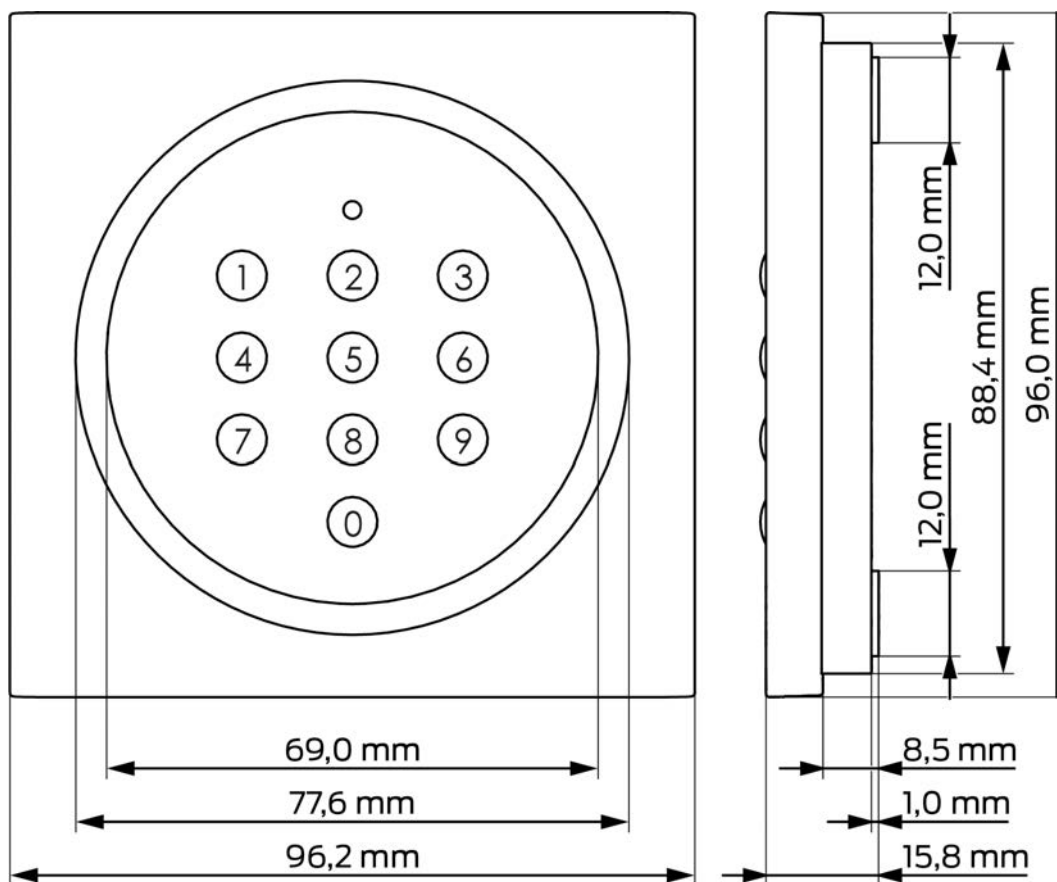
10. Technical specifications

Batteries	4 x 3 V Lithium Typ CR 2032 (Duracell, Murata, Panasonic, Varta) <i>Always replace all four batteries with new, approved, brand-name batteries when changing them.</i> Batteries coated with bitter substances are not suitable.
Battery life	up to 500,000 lock operations or up to 12 years on standby
Protection class	IP 65
Operating temperature	-20 °C to +50 °C
Dimensions in mm	96 × 96 × 14
Signal elements	Different colour LEDs (red, green, orange) + audible signals
Marking	PHI number (physical hardware identifier) = ChipID
Housing	Silver ABS polymer housing with semi-transparent rear/base plate
Main colour	Similar to RAL 9007
Key labelling	RAL 7016 Anthracite Grey

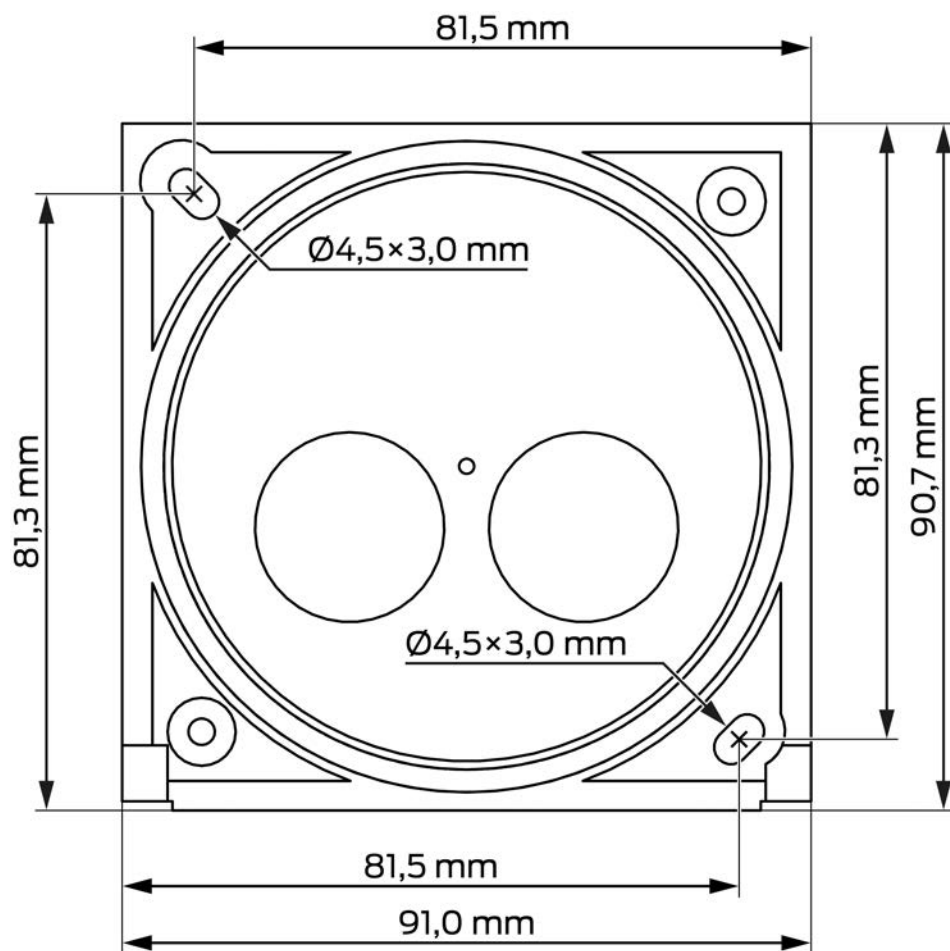
Radio emissions

868.000 MHz - 868.600 MHz / 869.700 MHz - 870.000 MHz	<25 mW ERP
--	------------

10.1 Scale drawing



10.2 Drilling template



11. Declaration of conformity

The company SimonsVoss Technologies GmbH hereby declares that the articles (MK.PINCODE.ONLINE) comply with the following guidelines:

- 2014/53/EU -RED-
or for the UK: UK statutory 2017 No. 1206 -Radio equipment-
- 2011/65/EU -RoHS-
or for the UK: UK statutory 2012 No. 3032 -RoHS-



The full text of the EU Declaration of conformity is available at the following internet address: www.simons-voss.com/en/certificates.html.

The full text of the UK Declaration of conformity is available at the following internet address: www.simons-voss.com/en/certificates.html.

12. Help and other information

Information material/documents

You will find detailed information on operation and configuration and other documents on the website:

<https://www.simons-voss.com/en/documents.html>

Declarations of conformity

You will find declarations of conformity and other certificates on the website:

<https://www.simons-voss.com/en/certificates.html>

Information on disposal

- Do not dispose the device (MK.PINCODE.ONLINE) in the household waste. Dispose of it at a collection point for electronic waste as per European Directive 2012/19/EU.
- Recycle defective or used batteries in line with European Directive 2006/66/EC.
- Observe local regulations on separate disposal of batteries.
- Take the packaging to an environmentally responsible recycling point.



Technical support

Our technical support will be happy to help you (landline, costs depend on provider):

+49 (0) 89 / 99 228 333

Email

You may prefer to send us an email.

support-simonsvoss@allegion.com

FAQs

You will find information and help in the FAQ section:

<https://faq.simons-voss.com/otrs/public.pl>

Address

SimonsVoss Technologies GmbH
Feringastr. 4
D-85774 Unterfoehring
Germany



This is SimonsVoss

SimonsVoss, the pioneer in remote-controlled, cable-free locking technology provides system solutions with a wide range of products for SOHOs, SMEs, major companies and public institutions. SimonsVoss locking systems combine intelligent functionality, high quality and award-winning design Made in Germany.

As an innovative system provider, SimonsVoss focuses on scalable systems, high security, reliable components, powerful software and simple operation. As such, SimonsVoss is regarded as a technology leader in digital locking systems.

Our commercial success lies in the courage to innovate, sustainable thinking and action, and heartfelt appreciation of employees and partners.

SimonsVoss is a company in the ALLEGION Group, a globally active network in the security sector. Allegion is represented in around 130 countries worldwide (www.allegion.com).

Made in Germany

SimonsVoss is truly committed to Germany as a manufacturing location: all products are developed and produced exclusively in Germany.

© 2025, SimonsVoss Technologies GmbH, Unterföhring

All rights are reserved. Text, images and diagrams are protected under copyright law.

The content of this document must not be copied, distributed or modified. More information about this product can be found on the SimonsVoss website. Subject to technical changes.

SimonsVoss and MobileKey are registered brands belonging to SimonsVoss Technologies GmbH.

SimonsVoss
technologies

Made in Germany

A BRAND OF

