



// FEATURES

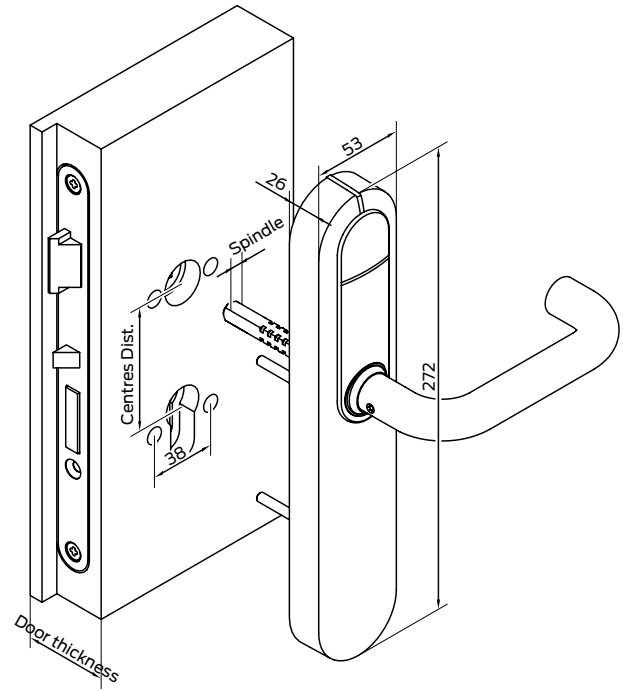
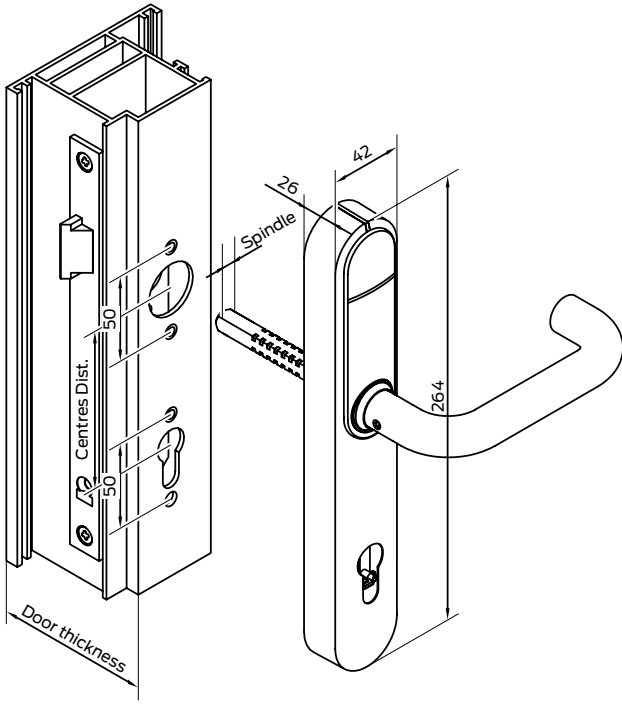
- ❖ Optimal solution for your installation situation: Installation takes place in a short time without additional drilling holes on full leaf and frame doors (DIN 18251), including optional mechanical secondary locking.
- ❖ Suitable for outdoor use (IP66), available as protective fitting (ES3 / RC4) and can be combined with panic bars (EN1125).
- ❖ The SmartHandle AX Advanced can be adjusted to door thickness, centres distance and square size.
- ❖ Timeless design: High-quality brushed stainless steel cover, which can be combined with elegant lever handles, also from well-known manufacturers (e.g. FSB).
- ❖ High data security thanks to the integrated Secure Element
- ❖ Investment security is part of the SimonsVoss promise. Open the SmartHandle AX Advanced even with your first generation transponder.
- ❖ The SmartHandle AX Advanced has a high-precision actuator. The test for long-term functionality was successfully completed with 1 million cycles.
- ❖ German manufactured.

// TECHNICAL DATA

<p>Variants</p>	<p>Installation variants for Tubular frame doors (oval escutcheons) and full-leaf doors with Euro-PC and Swiss Round (round escutcheons, short backplate, long backplate, protective fitting and and others), Scandinavian Oval and panic bar adaptations</p>	<p>Operation types</p>	<p>Online, virtual network and offline (can be combined)</p>
<p>Dimensions cover narrow (WxHxD)</p>	<p>❖ 42x264x26 mm</p>	<p>Battery type</p>	<p>4 x CR2450 3V lithium</p>
<p>Dimensions cover broad (WxHxD)</p>	<p>❖ 53x272x26 mm</p>	<p>Battery life</p>	<p>Up to 10 years stand-by or 200,000 lock operations (active) 100,000 lock operations (passive)</p>
<p>Door dimension specifications (depending on variant)</p>	<p>❖ Door thickness: 32–185 mm ❖ Centres distance: 70–105 mm ❖ Spindle: 7 8 8,5 9 10</p>	<p>Temperatur range</p>	<p>Operational: -25°C to +60°C</p>
<p>Reading systems</p>	<p>❖ Active transponder technology 25 KHz ❖ Passive technology 13,56 MHz (MIFARE® DESFire®) ❖ Hybrid (active und passive) ❖ BLE ready</p>	<p>Protection rating</p>	<p>Up to IP66 (Option .WP)</p>
		<p>Signalling</p>	<p>Audible (Buzzer) Visual (LED - green/red)</p>
		<p>Loggable access events</p>	<p>Up to 3,000</p>
		<p>Time zone groups</p>	<p>100+1</p>
		<p>Number of media which can be managed per SmartHandle AX Advanced</p>	<p>Up to 64,000</p>
		<p>Radio network</p>	<p>Network-ready with integrated LockNode (can be retrofit)</p>
		<p>Can be upgraded</p>	<p>Firmware upgradable</p>

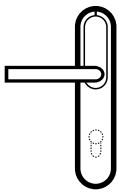
// VARIANT OVAL ESCUTCHEONS

// VARIANT ROUND ESCUTCHEONS

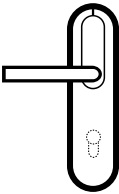


Measurements indicated in mm

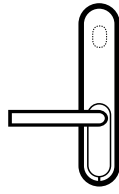
// VARIANTS



K1 / N1 / N2 / M1 / A4
for tubular frame doors with oval escutcheons or full-leaf doors with long plate / short plate holes for Euro-PC and SR.
Available as protective fitting and with panic bar adaptation, Observe compatibility.



L1
for full-leaf doors with round escutcheons for Euro-PC and SR.



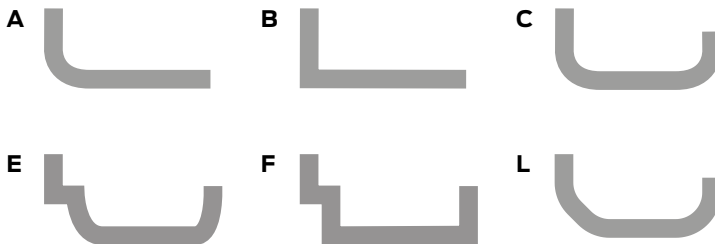
P1
for doors with Scandinavian Oval profile.

// CERTIFICATES


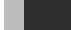




- DIN EN 16867
- DIN EN 1634
- DIN EN 179
- DIN EN 1906 (Class 4)
- DIN EN 1125
- DIN 18257 (ES3) (Variant M1)
- PAS24 (in preparation)
- SKG*** (in preparation)

// HANDLE



// FINISHES

-  Silver/white
-  Silver/black grey
-  Brass/white
-  Brass/black grey