

// FEATURES

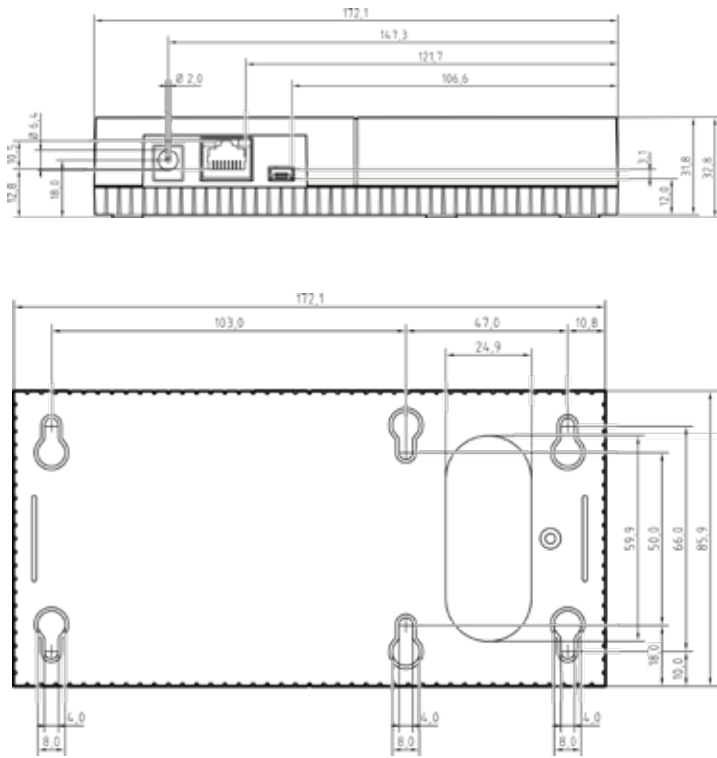
- ❑ Intelligent networked control unit to extend any locking system.
- ❑ High-performance gateway in a virtual network – updated access rights transmitted to identification media.
- ❑ Larger data volumes also quickly transmitted via Ethernet (PoE-compatible).
- ❑ Control of elements such as sliding doors, barriers & roll-up doors.
- ❑ Access event logging differentiated by readers.
- ❑ Connection of up to three external hybrid readers with visual and audible signalling.
- ❑ Three digital inputs for different applications e.g. door monitoring with external sensors.
- ❑ Connection option for external systems, e.g. time and attendance systems.
- ❑ Free combination of all networking types in a locking system (offline, virtual networking, online).
- ❑ Extension to include up to 116 relay outputs with the Smart Output module MOD.SOM8 (available as an option).



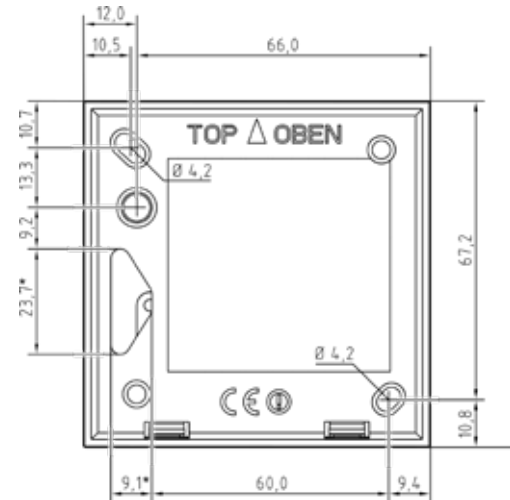
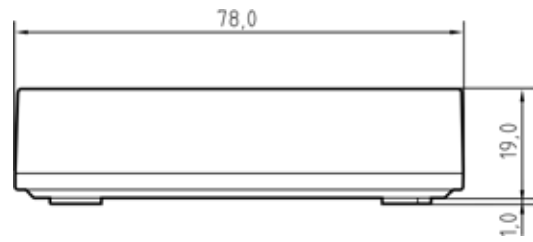
// TECHNICAL DATA

	// Controller	// Reader
Variants	<ul style="list-style-type: none"> ❑ Basic version (SREL3.CTR.ADV.G2) ❑ Basic version with access control, time zone control and event logging (SREL3.CTR.ADV.ZK.G2) 	<ul style="list-style-type: none"> ❑ External reader (SREL3.EXT.G2.W) ❑ External reader in weatherproof version (SREL3.EXT.G2.W.WP)
Dimensions (W x H x D)	172 x 86 x 33 mm	78 x 78 x 19 mm
Housing	White ABS plastic	White ABS plastic
Protection rating	❑ IP20	<ul style="list-style-type: none"> ❑ IP20 ❑ IP65 for weatherproof version
Power supply	9–32 VDC, max. 200 mA Via 5.5 mm round plug or screw terminals on the circuit board; alternatively, PoE (IEEE 802.3af)	Power supply via controller; alternatively, from external power supply unit
Interfaces/connections	<ul style="list-style-type: none"> ❑ RS-485 (3 x reader connection) ❑ TCP/IP (network connection) ❑ USB (initial programming) ❑ 1 relay output (potential-free changeover contact) ❑ Serial interface for connecting third-party systems ❑ 3 digital inputs (1 x button input for opening door; 2 for door contact, for example) ❑ Power supply 	<ul style="list-style-type: none"> ❑ RS-485 – connection to the controller (recommended cable length: max. 150 m; CAT5 or higher) ❑ Active transponder technology (25 kHz; range: 0–60 cm) ❑ RFID (13.56 MHz; range 0-15 mm) – supported card templates: MIFARE® Classic and MIFARE® DESFire® EV1/EV2 ❑ Power supply
Signal	Visual (LED – RGB)	Visual (LED – RGB), audible (buzzer)
Temperature range	Operational: -25 °C to +60 °C	Operational: -25 °C to +60 °C
Humidity	Max. 90%, non-condensing	Max. 90%, non-condensing

// CONTROLLER



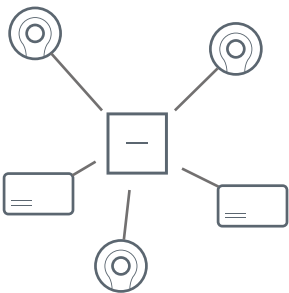
// READER



* not for for WP variant



// EXAMPLES OF USE



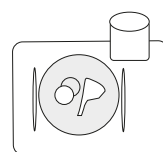
Virtual network
Booking station to up-date access rights



Switching
of elements such as doors, barriers and roll-up and garage doors



Lift control
Individual access rights for floors



Connection to external systems such as a canteen billing system via a serial interface