

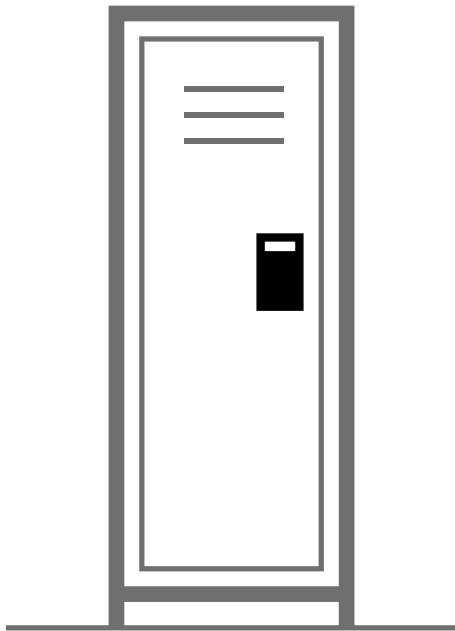


// **FEATURES**

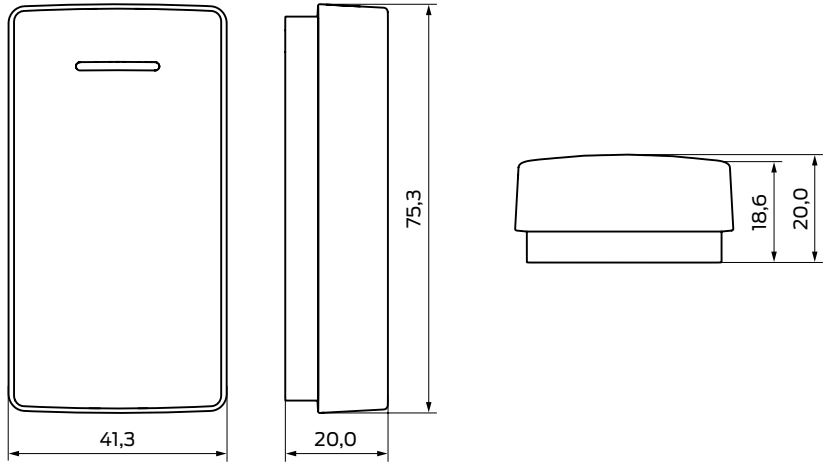
- ❑ Drill-free: easy fitting and installation. SmartLocker AX is fully customizable. The platform offers the right variant for every cabinet door.
- ❑ Quick-Click installation: our Quick-Click system makes installation easy and avoids additional fixing holes.
- ❑ Bolt inserts: quick and convenient adjustment. Different bolt inserts enable the lock to be optimally positioned in the locker door.
- ❑ Anti-tampering contact on the housing lid: any tampering attempts can be displayed in the LSM software.
- ❑ Emergency power supply via USB: if the batteries should actually be flat, SmartLocker AX can simply be powered and opened via a USB port as a back-up power supply.
- ❑ No more deadbolt blocking: the pre-tensioned bolt spring prevents bolt from blocking if the locker is too full and objects are pressing against the locker door on the inside.
- ❑ Visual and audible feedback signals: a visual and an audible signal indicate when the lock is opened or closed (can be switched off).
- ❑ Durable: up to 50,000 openings without changing the battery (depending on the reading technology and operating mode).
Cost-effective standard batteries: 2 x AA round cell 1.5 V (alkaline).
- ❑ Made in Germany. A given for us.

// **TECHNICAL DATA**

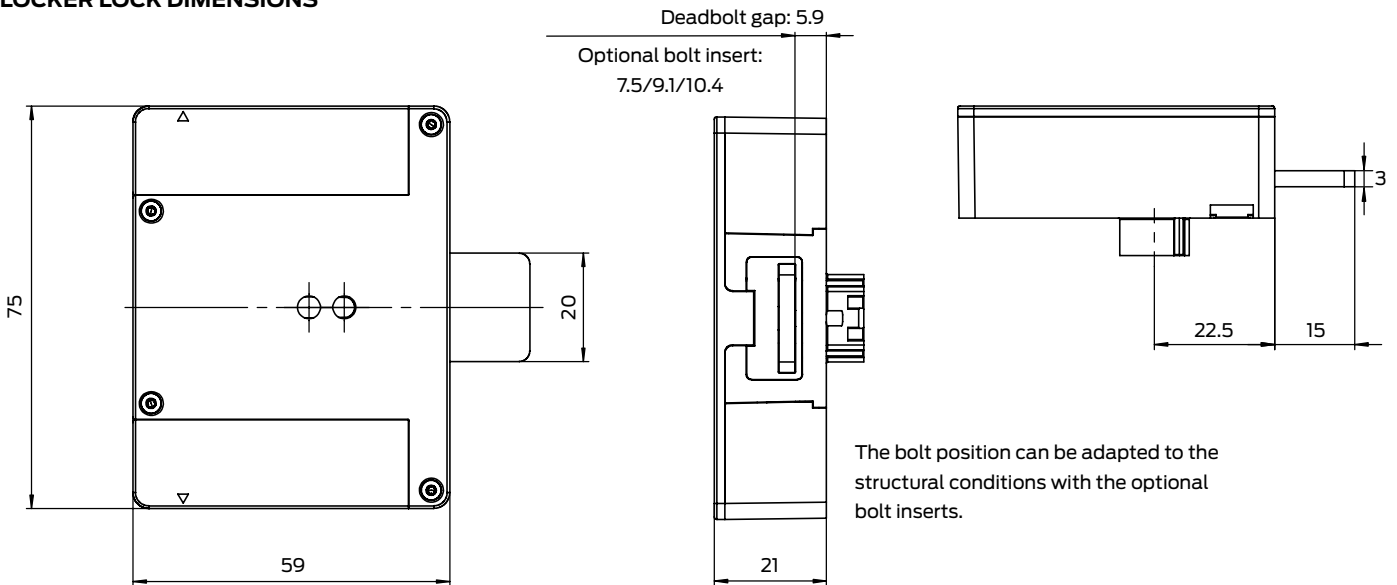
Opening diameter in the locker/cabinet	19 mm (double D punch)	Battery type	2 x AA round cell 1.5 V (alkaline)
Lock dimensions (W x H x D)	59 x 75 x 21 mm	Battery life	Battery life: up to 50,000 lock operations or up to 5 years on standby (depending on the reading technology and operating mode)
Outer reader dimensions (W x H x D)	41,3 x 75,3 x 20 mm	Temperature range	0 °C to +65 °C
Dead bolt dimensions (W x H x D)	15 x 20 x 3 mm	Protection rating	IP40
Reader systems	<ul style="list-style-type: none"> ❑ Active transponder technology ❑ Passive (MIFARE® Classic and DESFire®) EV1/EV2/EV3 ❑ Hybrid (active and passive) ❑ Bluetooth Low Energy (BLE) in pipeline 	Radio network	Network-ready with integrated LockNode (can be retrofit)
Operation types	Offline, virtual network and online (can be combined)	Signalling	Audible (buzzer) Visual (LED - green / red)
		Offline storable accesses	3,000
		Time zone groups	100+1
		Number of media which can be managed per SmartLocker AX	Up to 64,000



// READER UNIT DIMENSIONS

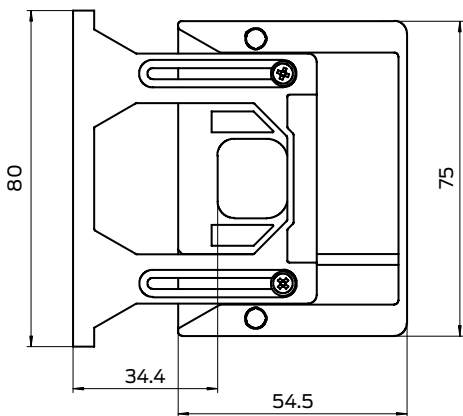


// LOCKER LOCK DIMENSIONS



// DIMENSIONS OF VARIABLE SPACER PLATE

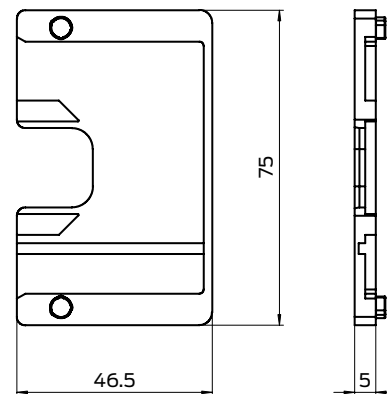
Anti-twist protection to wedge against door rebate in metal doors



Maximum: 34.4 mm
Minimum: 15 mm

// DIMENSIONS OF SPACER PLATE

for adjusting the bolt position



Measurements indicated in mm