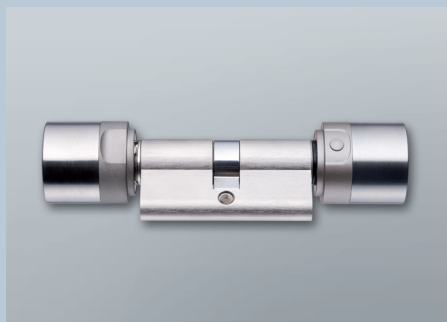


EURO PROFILE

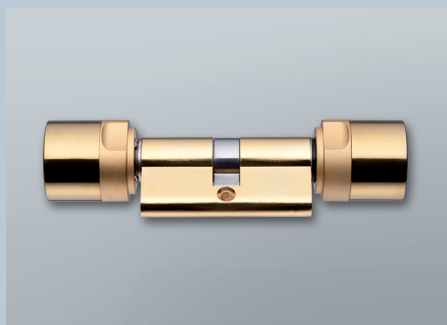
DOUBLE KNOB CYLINDERS 3061



Euro profile locking cylinder 3061



Euro profile locking cylinder button control version

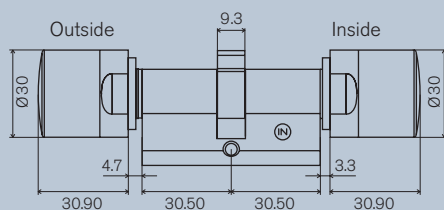


Euro profile locking cylinder brass finish

Locking cylinder with encapsulated electronic board for installation in doors compliant with DIN 18250, with Euro profile locks compliant with DIN 18251. It evaluates radio signals from transponders and decides whether access is authorised.

PRODUCT VERSIONS:

- Stainless steel finish
- Freely rotating on both sides
- Brass finish (.MS)
- Version with audit trail and time zone management (.ZK)
- Button control version, operated from inside without transponders (.TS)
- VdS version, VdS registration class AZ, SKG registration SKG*** (.SKG)
- VdS version, VdS registration class BZ, SKG registration SKG***, with audit trail and time zone management, in conjunction with the shunt-lock function and with appropriate installation applicable up to class VdS C/SG 6 (VdS - Association of German Insurers) (.ZK.VDS)
- Multi-stage version for use in multi-point locks, from construction length 35–30 mm (1.38-1.18 inches), not in combination with .VDS, .SKG and .WP (.MR)
- Cylinders to be installed in steel and fire retardant doors (.FH)
- Weather-proof version, from construction length 30–35 mm (1.18-1.38 inches), not in combination with .TS, .VDS, .SKG and .MR (.WP),
- Version „network inside“ with integrated Lock Node (.WN)
- G2 locking cylinder with advanced functionality refer to G2 locking systems



Dimensions in mm

TECHNICAL SPECIFICATIONS:

- Standard profile cylinder compliant with DIN 18252/EN1303
- Knob diameter: 30 mm (1.18 inches)
- Basic construction length: 30–30 mm (1.18-1.18 inches) (outside/inside)
- Total length: up to max. 140 mm (5.51 inches) (max. 90 mm (3.54 inches) on one side), larger dimensions on demand
- Protection class: IP 54, version .WP: IP 65
- Battery type: 2 x lithium CR2450 3V
- Battery lifespan: up to 300,000 operations or up to ten years standby
- Temperature range: operation $-20\text{ }^{\circ}\text{C}$ to $+50\text{ }^{\circ}\text{C}$, storage $-35\text{ }^{\circ}\text{C}$ to $+50\text{ }^{\circ}\text{C}$
- 3,000 operations can be recorded
- 5+1 time zone groups (G2: 100)
- Up to 8,000 transponders can be managed per cylinder (G2: 64,000)
- Up to 48,000 lockings can be managed per transponder (G2: 304,000)
- Various duration / opening modes (office function)
- Directly networkable with integrated Lock Node (network knob cap WN.LN.I) or over external LockNode with additional door monitoring function
- Upgradeable firmware

ORDERING DETAILS:

Euro profile cylinder, standard version, freely rotating on both sides	Z4.30-30-FD
Version with audit trail and time zone management	.ZK
“Button control” version	.TS
Version according to German VdS standard AZ/SKG***	.SKG
Version according to German VdS standard BZ/SKG***	.ZK.VDS
Multi-stage version, from construction length 35–30 mm (1.38-1.18 inches)	.MR
Version for cylinders to be installed in steel doors	.FH
Brass finish	.MS
Weather-proof version, from construction length 30–35 mm (1.18-1.38 inches),	.WP
Version „network inside“ with integrated Lock Node	.WN
Construction length from 65 up to 80 mm (2.56 up to 3.15 inches) total length	e.g. Z4.40-40.FD
Construction length from 85 up to 100 mm (3.35 up to 3.94 inches) total length	e.g. Z4.40-60.FD
Construction length from 105 up to 140 mm (4.13 up to 5.51 inches) total length	e.g. Z4.65-75.FD
Construction length from 140 mm or over 90 mm on one side (from 5.51 inches or over 3.34 inches on one side)	on demand
G2 locking cylinder with advanced functionality refer to G2 locking systems	.G2